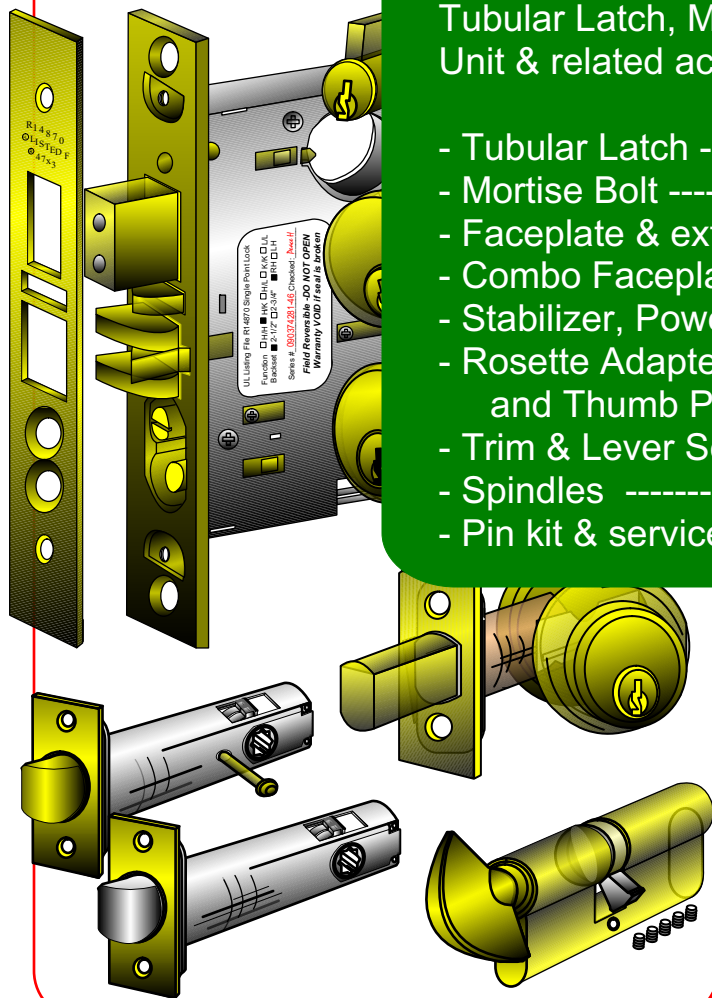


baton®

Security Products since

**Catalogue
2016.10
Decorative
Door
Hardware**



**Part 4 of 7 - Series LT
Tubular Latch, Mortise Bolt, Transfer
Unit & related accessories**

- Tubular Latch -----> page L01~L10
- Mortise Bolt -----> page L11
- Faceplate & extend Strike ---> page L12
- Combo Faceplate/Strike ----> page L13
- Stabilizer, Power Pack -----> page L14
- Rosette Adapter, Transfer Unit
and Thumb Piece -----> page L15~L16
- Trim & Lever Sets -----> page T19~T24
- Spindles -----> page X01~X02
- Pin kit & services -----> page X03~X05

**Baton Security Products
11521 Salinaz Drive,
Garden Grove,
CA 92843 USA**

**Tel: (714) 590 6969
Fax:(714) 590 6960
USA / Canada toll free
Tel : (877) 228 6699
Fax: (866) 228 6699**

**Tooling, manufacturing as well as purchasing stock
items are additional benefits of doing business with Baton.**

www.batonlockusa.com www.batonhardware.com

Email : Sales@batonlockusa.com



Dear Clients:

It is our pleasure to present for your reference the latest Catalogue and Price List for the decorative door hardware.

Baton has accumulated the experience in the manufacturing and distribution of the security locking devices and related hardware since 1973. Since then, we have consistently provided clients with a wide range of high quality locking devices along with the edge necessary in today's security industry.

At Baton, our goal is to provide you with the highest quality not only in security products but also in customer service. To assist you with your product needs, our Customer Services Department is open from 8:00 AM until 4:30 PM Pacific Time, Monday through Friday.

The following pages show the product lines we constantly carry in our warehouse located at Garden Grove, California. Nevertheless, tooling, manufacturing as well as purchasing stock items are value added benefits of doing business with us. Your complete satisfaction is our goal. Please call our Customer Service Representatives at 1-877-baton99 (228 6699) and let us know how we can best serve you. Should you have any other needs regarding locking devices, please call our CSR at the following numbers:

Toll free Tel : 1-877 - 228 6699 Fax: 1-866 - 228 6699
<ol style="list-style-type: none"> 1. Mortise Door Lock, Low Profile Deadbolts, Tubular Latches and components 2. European Profile Cylinders, Rim Cylinders, Key in knob and Mortise Cylinders 3. Decorative Hardware 4. Special locks for Payphone, Casino, Gaming and Vending Industries.

Toll free Tel : 1-800 - 395 8880 Fax: 1-888 - 395 8880
<ol style="list-style-type: none"> 1. High security locks and devices of all kinds for Vending, Laundry, Casino and Video Gaming Industries 2. Padlocks - Brass, Laminated steel, Hardened steel and Stainless steel for Coin-Op Industries and general public 3. Do-it-yourself general hardware

Sincerely,

Peace Hsu
President

Terms and Freight Policy -

All prices are based on FOB our warehouse. Net 30 days can be arranged upon approval on open account others will be C.O.D. or prepaid. Any past due account is subject to a financial charge at 1.5% on unpaid balance billed monthly. No further shipment will be honored until account is brought back to current. Service charges will apply to all the returned checks. Unless you specify otherwise, will use a carrier and route of our choice. Claim for loss or damage in transit should be made by you against the carrier. All goods are shipped at the customers risk; our responsibility ceases upon delivery in good order to the carrier.

Receipt and Return Goods Policy -

Any discrepancy regarding the shipment must be claimed within five(5) days after merchandise received. Any return item should be received within 30 days of invoice date. A "RGA" number must be obtained from our CSR Department prior to the merchandise returned. The returned goods must be in original packaging and salable condition. There will be a 25% restocking charge and freight on merchandise returned or refused for reasons other than defect or incorrect shipment. No special or custom made order can be returned other than factory defect.

Orders and Cancellations -

Order and/or cancellations will not be processed without written confirmation from customer. Any order shipped before written request of cancellation or change is received will incur handling charges as stated above. Special orders and custom made items are not cancelable after a period of 3 days from date of order. Partial orders shall be accepted by the customer and paid for at the contract prices and terms. Order received by Baton constitute acceptance of terms outlined in this document. Baton is not responsible for any loss or damage due to delays or extended delivery dates of goods.

Limited Warranty -

Baton warrants that its products will be free from defects in materials and workmanship (excluding oxidation or discoloration) for a period of one year from the date of sales to the user. Our only obligation will be to replace the defective product or parts upon inspection, together with proof of purchase from one of our agents dated within the warranty period. **We assume no liability for any labor charges regarding the removal or reinstallation of the products; nor will we cover any freight, postage, traveling or handling expense relative to the product. Damage caused by accident, misuse, abuse or improper installation are not covered by this warranty. Except as expressly stated herein, there is no warranty, whether expressed or implied, provided by Baton. No other person has authority to assume any obligation or liability in addition to this warranty.**

Validity and Special Note -

This catalogue with Price List enclosed is good for six (6) months from the date issued and supersedes all previous catalogues and Price Lists. Baton is not responsible for any typographic errors or errors in indication.

Models LT245 Passage Latch, Mortise Bolt & LT250LS Passage Latch/light weight

The housing of models LT245 narrow backset Passage Latch and Mortise Bolt are made of die cast alloy, featuring a 5/8" wide case front to accommodate both thick and thin screen doors. Model LT245KS Passage latch is constructed with a non-handed stainless steel (S) latch tongue. Knob strength, Latch is retractable both at clockwise and counterclockwise rotation.

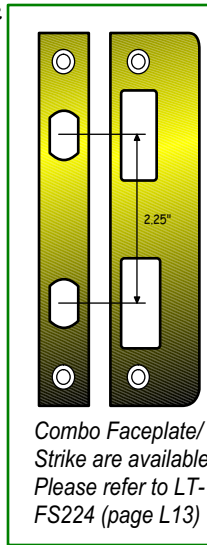
Model LT245MB Mortise bolt features a 3/4" throw nickel plated (N) brass bolt. Furnished with a Faceplate, Strike and Screws. Packed in individual box, 40 to a carton.

Hub size:

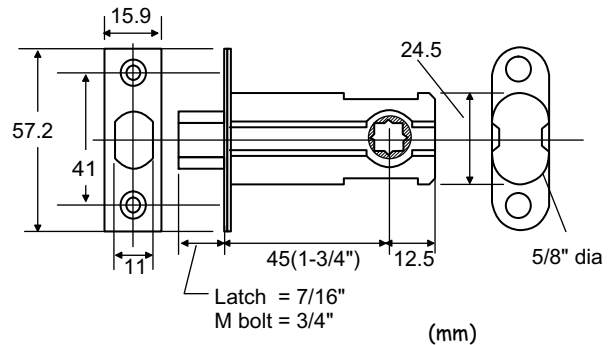
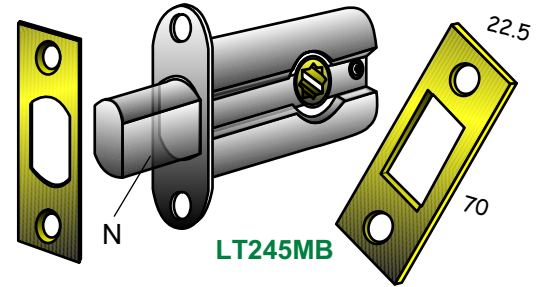
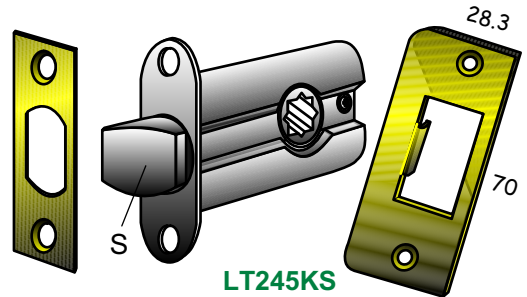
Latch : 8mm on Square/7.3mm on Diamond

M.Bolt: 5mm on diamond/square

Finishes: US10B, 19, 3 & 32D



Combo Faceplate/Strike are available Please refer to LT-FS224 (page L13)

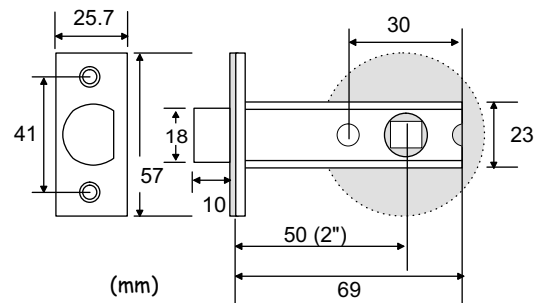
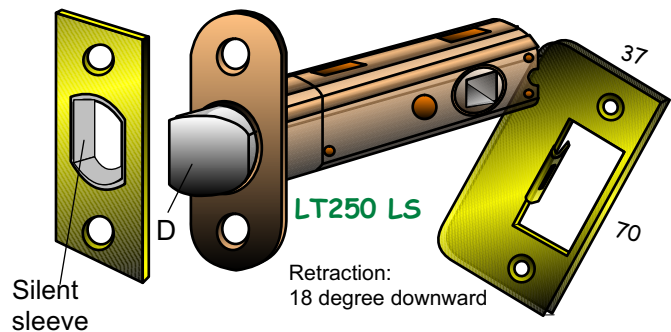


Stock No.	Description	Backset
LT245KS 8S	Passage Latch	1-3/4" (45mm)
LT245MB 5N	Mortise Bolt	1-3/4" (45mm)

Model LT250 LS Non-handed Passage Latch has a die cast construction, featuring a special axis-hub that requires very little lever action (18 degrees) to retract the latch. A nylon sleeve is installed between the housing front and bright chrome plated latch tongue (D) to ensure a smooth, quiet and long lasting operation, ideal for light weight Lever application. Supplied with a Faceplate, Strike, Dust Box and mounting Screws. Packed each individually in plain box, 10 in an inner box, 80 in a carton.

Hub size: 8mm on Square

Finish in stock : US10B, 19, 3 and 32D



Stock No	Description	Backset.
LT250LS 8D	Passage Latch	2" (50mm)

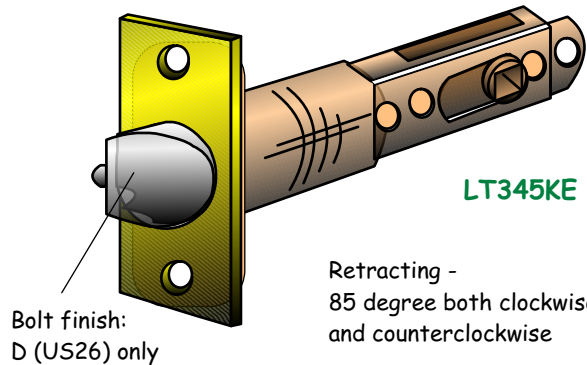
**Model LT345KE Entrance Latch &
Model LT367KE Entrance Latch/UL-F90**

Model LT345 Entrance Latch is featured with an auxiliary dead locking Bolt, deadlocks the Latch Bolt (D=US26) when the door is closed. Supplied with Faceplate (LT-F3) , T-Strike(LT-ST181), Dust Box and Screws.

Finishes: US10B, 19, 3, 32 & 32D.

Hub size: 8mm on Square

Backset: 2-3/8" ~ 2-3/4" adjustable, or extended custom length



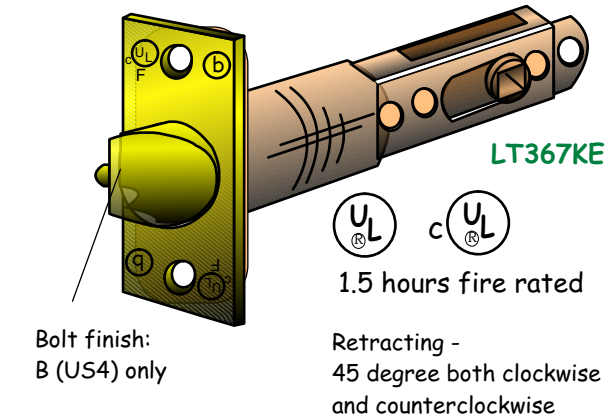
Model LT367 Entrance Latch is featured with an auxiliary dead locking bolt, deadlocks the latch when the door is closed. UL and cUL listed for use on 1.5 hour fire rated, A label doors. Supplied with Face Plate, T-Strike (LT-ST182), Dust Box (LT-G1) and Screws in individual box.

Finishes: US10B, 15A, 19, 3 & 32D

Hub size: 8mm on Square

Bolt finish: satin brass (B=US4)

Backset: 2-3/8" and 2-3/4" adjustable, or extended custom length.

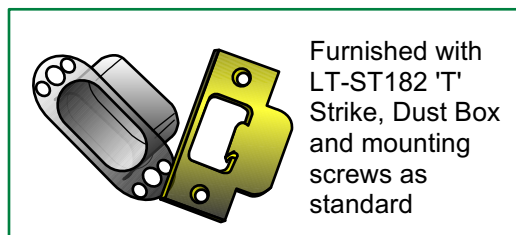
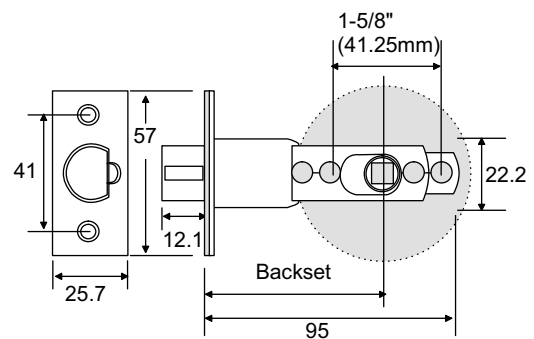
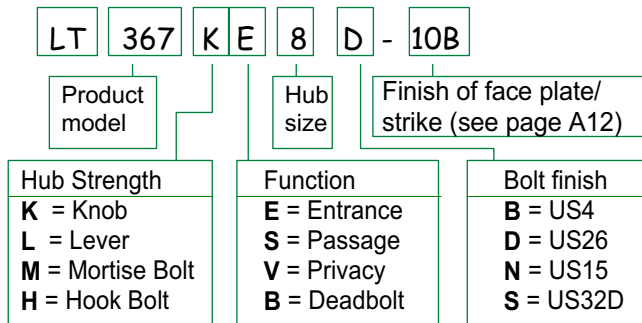


L02

Both models are constructed with soft spring action. Additional power pack is recommended when applying to Lever or weighted Knob.

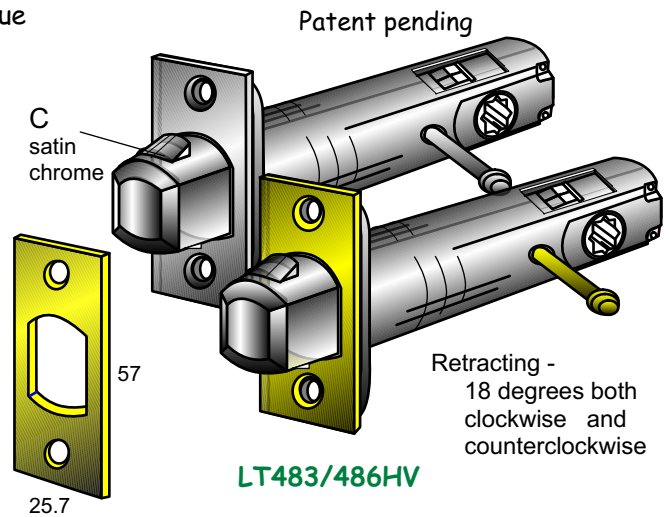
Stock No.	Description	Backset
LT345KE8D-__	Entrance Latch	2-3/8"~2-3/4" adj.
LT34CKE8D-__	Entrance Latch	Custom length
LT367KE8B-__	Entrance Latch	2-3/8"~2-3/4" adj
LT36CKE8B-__	Entrance Latch	Custom length

'LT' Latch Code Interpretation Guide



Models LT483/486HV Heavy Duty Hook Bolt Latch & 7mm Hub Sleeve

Models LT483/486 Hook Bolt Latches have a unique design - requiring only 18 degrees to retract the Hook. Ideal for using on a sliding or barn door. The Hook Bolt Latch can be retracted both clockwise and counterclockwise on either side, except when is locked with Privacy Button from inside, then retracted by inside Lever, automatically unlocking outside Lever. When the Hook Bolt is locked by inside Privacy Button, the outside Lever is rigid. The outside Lever can operate the Hook Bolt only after the Privacy Block is released from the outside emergency release hole. Eliminate the use of Privacy Pin works as a passage.

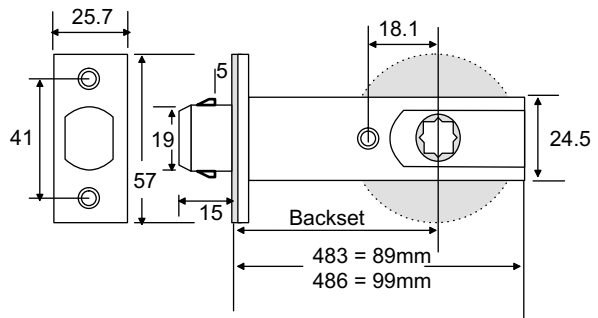


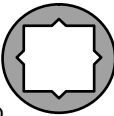
L03

Latch is supplied with satin chrome (C) Bolt only.
Hub size: 8.0mm Square/7.3mm Diamond

The Hook Bolt Latch is supplied with a Faceplate, Strike, Dust box and mounting Screws as standard.
Backset: 2-3/8"(60mm) & 2-3/4" (70mm) .

Finishes: US10, 10B, 14, 15, 15A, 19, 26, 26D, 3, 32D, 4, 5, & 9

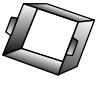




Universal Hub
8mm on square
& 7.3mm on diamond

N8-H7

7mm hub sleeve/
to convert for 7mm
on square spindles

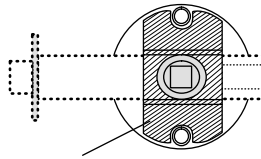


The Privacy function has an anti-lock feature. Depressing the Hooks by Strike when door is closing, or operating the inside Knob/Lever unlocks the latch.

Stock No.	Backset	Function	Retracting
LT483HV8B/C	2-3/8"(60mm)	Privacy	18°
LT486HV8B/C	2-3/4"(70mm)	Privacy	18°

- See Page L02 Code Interpretation Guide for ordering

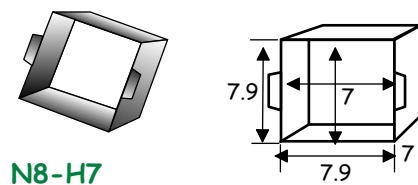
Model N8-H7 Hub Sleeve is designed to convert a Mortise Lock Case or a Latch to take a 7mm Spindle from a regular 8mm hub. For the split hub application, simply insert the Hub Sleeve from each side of the Hubs of the Lock or Latch



LT-MA186/MA281

Stabilizer is recommended

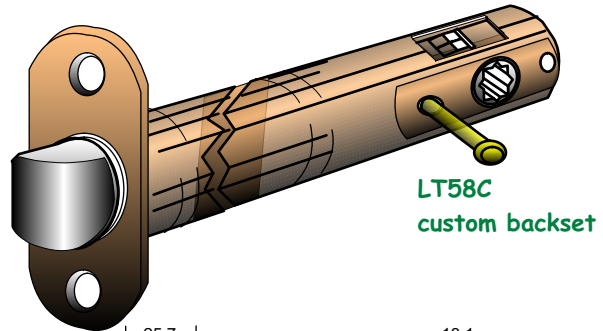
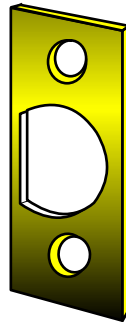
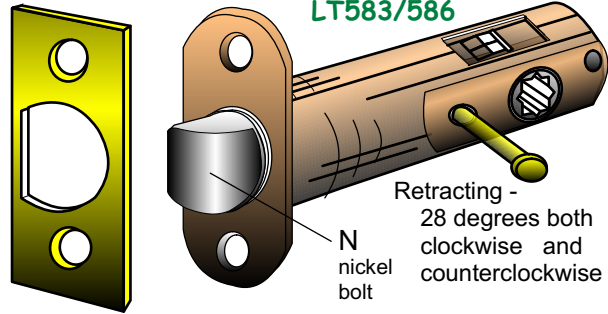
Stock No.	Description
N8-H7	Hub Sleeve, 7 x 7mm



Series LT580 Heavy Duty Standard & Extended Tubular Latch

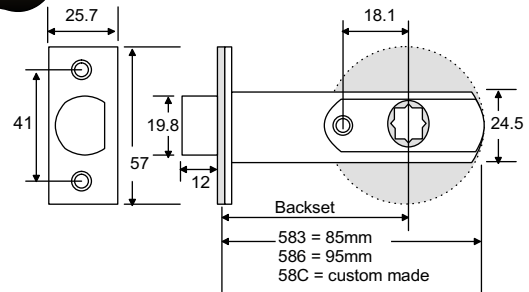
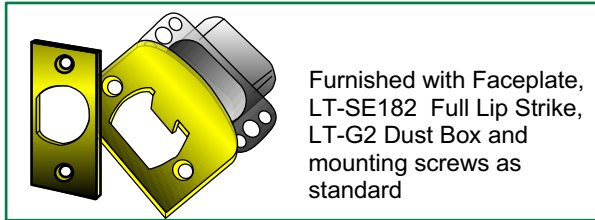
Series LT580 Tubular Latch has a unique design - requiring only 28 degrees both clockwise and counterclockwise rotations on either side to retract the Bolt. The satin nickel (N) finished forged latch bolt is reversible to facilitate door handing. Latch is assembled with Knob strength only. Power Pack (LT-RS150) or a similar assist spring cage is recommended for heavier Lever application. Latch is supplied with Privacy function only. Eliminating the installation of the privacy pin works as a passage latch.

The Privacy function has an anti-lock feature. Depressing the latch bolt by the strike when door is closing, or operating the inside Knob/Lever unlocks the latch.



L04

Hub size: 8.0mm Square/7.3mm Diamond
Finishes: US10, 10B, 14, 15, 15A, 19, 26, 26D, 3, 32D, 4, 5, & 9

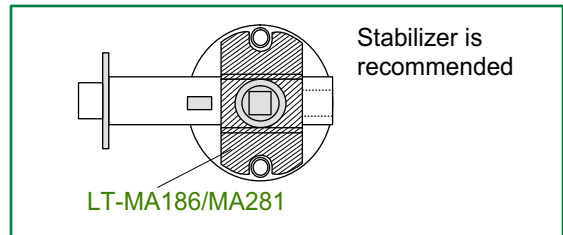
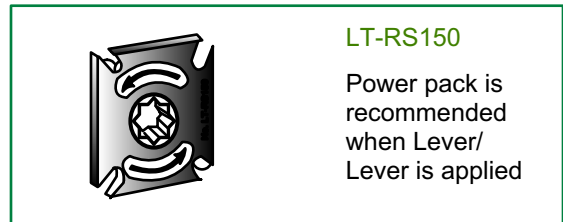
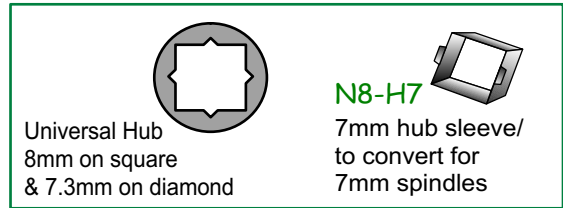


Stock No.	Backset	Function	Bolt finish
LT583KV8N_	2-3/8"	Privacy (K/K)	Satin Nickel
LT586KV8N_	2-3/4"	Privacy (K/K)	Satin Nickel

- See Page L02 Code Interpretation Guide for ordering
- For extended T Strikes, Full Lip Strikes and Combo Faceplate/Strikes please refer to pages L12 and L13

Custom made Extended Tubular Latch - Extended backset Tubular Latch in various lengths can be ordered as a custom made item. Please call Baton's CSR for details.

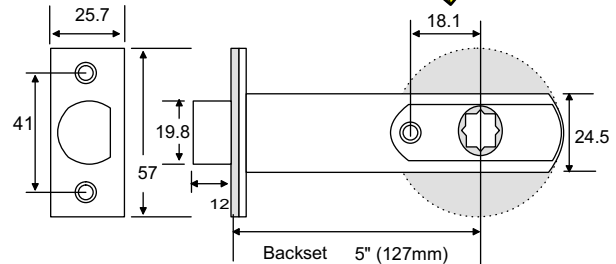
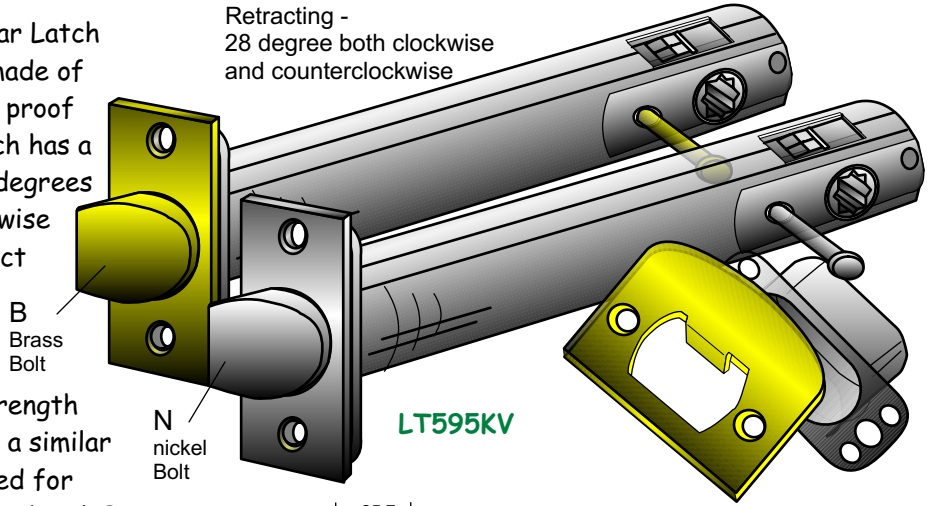
Stock No.	Backset	Function	Bolt finish
LT58CKV8N	Custom	Privacy (K/K)	Satin Nickel



Model LT595 Heavy Duty 5" Stainless Steel Tubular Latch

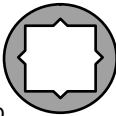
Model LT595 5" backset Tubular Latch is a totally solid construction - made of selected stainless steel for rust proof and life time operation. The Latch has a unique design, requiring only 28 degrees both clockwise and counterclockwise rotations on either side to retract the Bolt. The forged brass Bolt (B or N finish) is reversible to facilitate door handing. Latch is assembled with Knob strength only. Power Pack (LT-RS150) or a similar assist spring cage is recommended for heavier Lever application. Supplied with Privacy function only. Eliminating the installation of the privacy pin works as a passage latch.

Retracting -
28 degree both clockwise
and counterclockwise



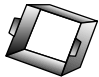
Furnished with a Face plate (LT-F1), a Strike (LT-SE182), a Dust box and mounting Screws. Hub size: 8.0mm Square/7.3mm Diamond Finishes: US10, 10B, 14, 15, 15A, 19, 26, 26D, 3, 32, 32D, 4, 5 & 9. Backset: 5" (127mm)

The Privacy function has an anti-lock feature. Depressing the latch bolt by strike when door is closing, or operating the inside Knob/Lever unlocks the latch.




N8-H7

7mm hub sleeve/
to convert for
7mm spindles



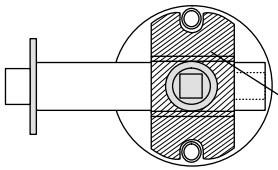
Universal Hub
8mm on square
& 7.3mm on diamond



LT-RS150

Power pack is
recommended
when Lever/
Lever is applied

Stock No.	Description	Bolt finish
LT595KV8B-__	Privacy Latch 5" (127mm)	Satin brass US4
LT595KV8N-__		Satin nickel US15



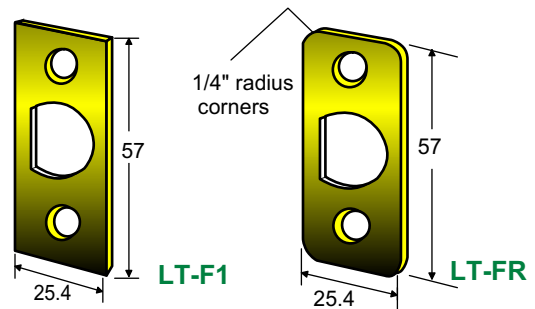
Stabilizer is
recommended

LT-MA186/MA281

- See Page L02 Code Interpretation Guide for ordering
- For extended T Strikes, Full Lip Strikes and Combo Faceplate/Strikes please refer to pages L12 and L13

1/4" radius corners Faceplate for series 'LT' Tubular latch is optional.
Finishes available from stock: US10B, 19, 3, 32D

Stock No.	Description
LT-FR	Faceplate, 1/4" radius corner



Models LT673/676 Heavy Duty Passage Latch - for minimum face bore

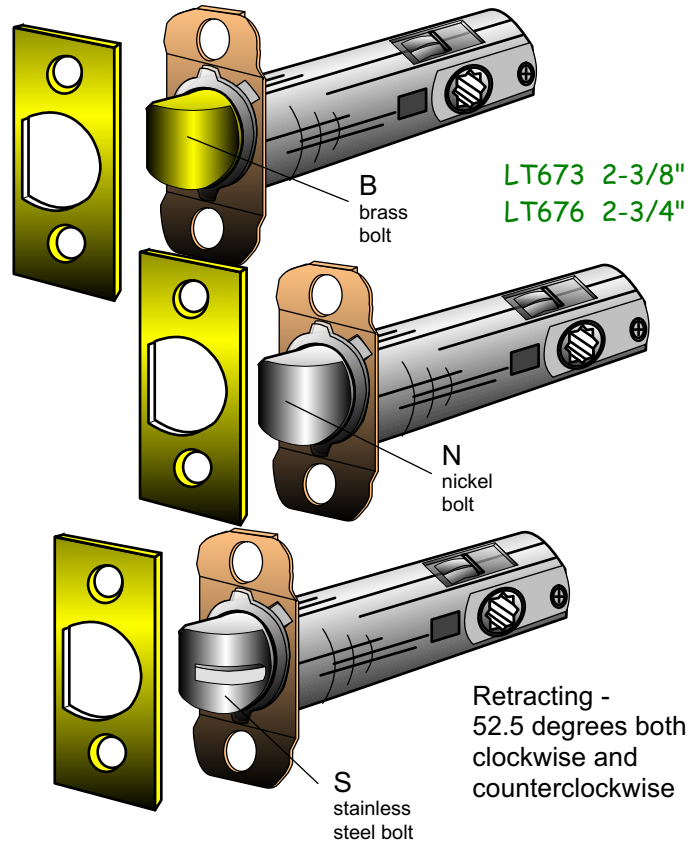
Models LT673/676 Passage latches have a shorter die cast alloy housing. Non-handed, features an adjustable Armor Front that accommodates both straight and beveled doors. The stainless steel latch bolt is featured with silent strip (S), ensuring a quiet and long lasting smooth operation. The Latch can also be ordered with brass bolt without silent strip, in finishes of satin brass (B) or satin nickel (N).

The Latch is constructed with smaller hub wings, no protruding on hub rotations, requires very minimum facebore hole, as small as for spindle only, applies for the regular and narrow style rosettes and trims.

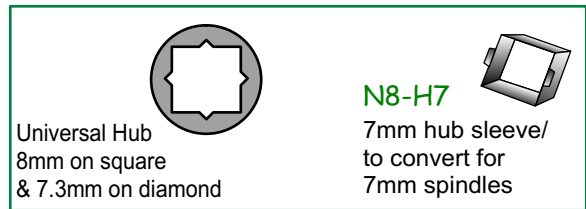
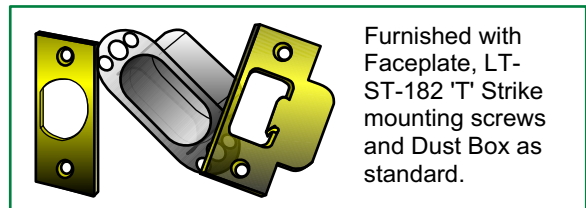
The split-hub construction allows the latch bolt be retracted in both clockwise and counterclockwise rotations on either side. Hub size: 8mm Square + 7.3mm on Diamond. A hub sleeve (NZ-H7) is to order for 7mm-spindle application.

Three hub strengths are supplied: Knob/ Knob(K), Lever/Lever(L) and softer strength for Thumb Piece(T).

Finishes: US10, 10B, 14, 15, 15A, 26, 26D, 3, 32, 32D, 4, 5, & 9

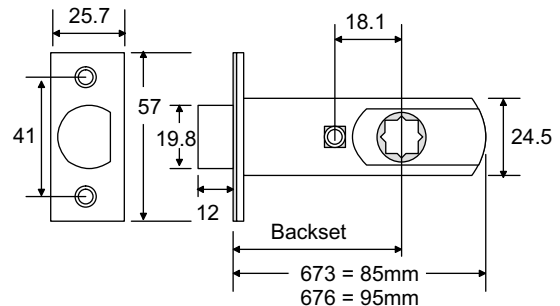


L06



Stock No.		Function	Tongue finish
2-3/8" (60mm)	2-3/4" (70mm)		
LT673 KS8 B-__ LT673 LS8 B-__	LT676 KS8 B-__ LT676 LS8 B-__	Passage (K/K) Passage (L/L)	US4 US4
LT673 KS8 N-__ LT673 LS8 N-__	LT676 KS8 N-__ LT676 LS8 N-__	Passage (K/K) Passage (L/L)	US15 US15
LT673 KS8 S-__ LT673 LS8 S-__	LT676 KS8 S-__ LT676 LS8 S-__	Passage (K/K) Passage (L/L)	US32D US32D

- See Page L02 Code Interpretation Guide for ordering
- For extended T Strikes, Full Lip Strikes and Combo Faceplate/Strikes please refer to pages L12 and L13

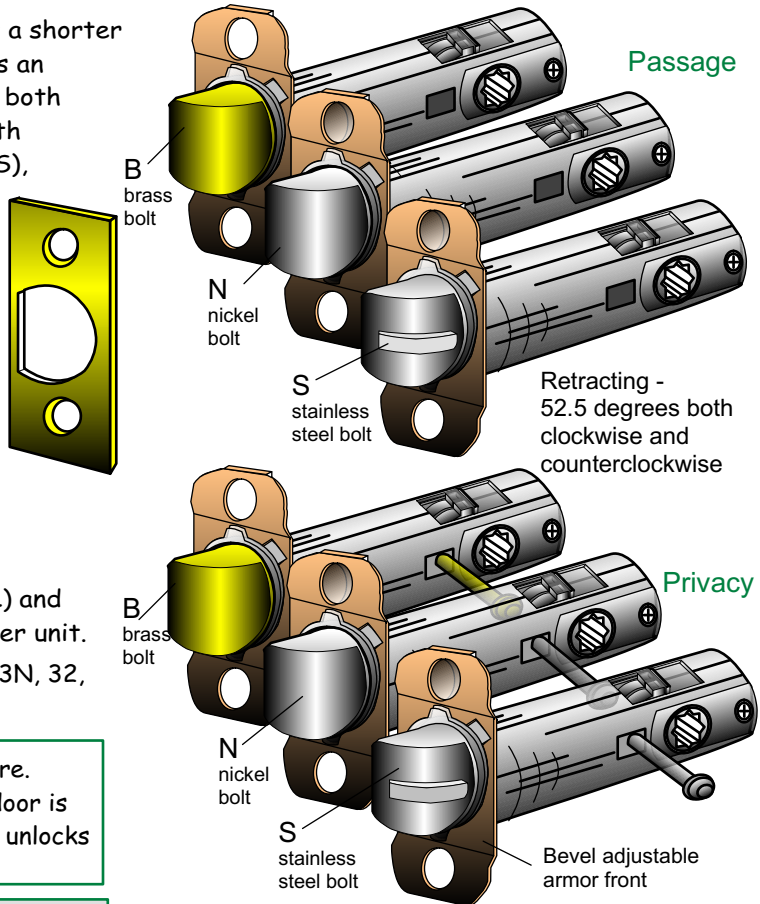


Models LT683/686 Heavy Duty Tubular Latch - Armor Front adjustable

Models LT683 and LT686 Tubular Latch has a shorter die cast alloy housing. Non-handed, features an adjustable Armor Front that accommodates both straight and beveled doors. Constructed with stainless steel Latch Bolt with Silent Strip(S), ensuring a quiet and long lasting smooth operation. The 2-3/8" Knob Latch(K/K) can also be ordered with brass Bolt without silent strip, in satin brass (B) or satin nickel (N) finish.

Split-hub construction allows the Latch Bolt be retracted in both clockwise and counterclockwise rotations on either side. Hub sizes: 8mm Square + 7.3mm Diamond. A Hub Sleeve(NZ-H7) is to order for 7mm spindle application. Three Hub strengths are supplied: Knob/Knob (K), Lever/Lever (L) and softer strength (T) for Thumb Piece/transfer unit. Finishes: US10, 10B, 14, 15, 15A, 26, 26D, 3, 3N, 32, 32D, 4, 5, & 9

The Privacy function has an anti-lock feature. Depressing the latch bolt by strike when door is closing, or operating the inside Knob/Lever unlocks the latch.

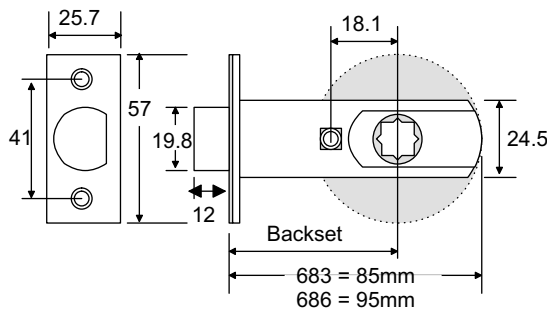


Stock No.		Backset	Hub strength	Bolt finish
Passage	Privacy			
LT683KS8 B-__	LT683KV8 B-__	2-3/8"	K/K	US 4
LT683KS8 N-__	LT683KV8 N-__	2-3/8"	K/K	US 15
LT683KS8 S-__	LT683KV8 S-__	2-3/8"	K/K	US32D
LT683LS8 B-__	LT683LV8 B-__	2-3/8"	L/L	US 4
LT683LS8 N-__	LT683LV8 N-__	2-3/8"	L/L	US 15
LT683LS8 S-__	LT683LV8 S-__	2-3/8"	L/L	US32D
LT683TS8 B-__	LT683TV8 B-__	2-3/8"	T/K	US 4
LT683TS8 N-__	LT683TV8 N-__	2-3/8"	T/K	US 15
LT683TS8 S-__	LT683TV8 S-__	2-3/8"	T/K	US32D
LT686KS8 S-__	LT686KV8 S-__	2-3/4"	K/K	US32D
LT686LS8 S-__	LT686LV8 S-__	2-3/4"	L/L	US32D
LT686TS8 S-__	LT686TV8 S-__	2-3/4"	T/K	US32D
LT68CKS8 _-__	LT68CKV8 _-__	custom	K/K	
LT68CLS8 _-__	LT68CLV8 _-__	custom	L/L	

Furnished with Faceplate, LT-ST-182 'T' Strike mounting screws and Dust Box as standard.

Universal Hub
8mm on square & 7.3mm on diamond

N8-H7
7mm hub sleeve/ to convert for 7mm spindles



- See Page L02 Code Interpretation Guide for ordering
- For extended T Strikes, Full Lip Strikes and Combo Faceplate/Strikes please refer to pages L12 and L13

L07



Models LT783 LT786 LT796 Heavy Duty Tubular Latch

Baton Series LT780 Heavy duty Tubular Latches are constructed for durability and smooth operation. The forged brass latch bolt is reversible to facilitate all door handing. Available in satin brass (B) and satin nickel (N) finishes.

Latch is supplied with Lever/Lever or Knob/ Knob strengths. The Lever latch is constructed with a superior strong spring and requires only 28 degrees downward rotation to retract the bolt. The Knob latch LT796 is designed to turn clockwise or counterclockwise 52.5 degrees to retract the bolt. The specially designed split hubs are constructed from investment cast alloy steel, and can accommodate both privacy and passage applications. Hub sizes: '8' = 7.3mm Diamond/8.0mm Square

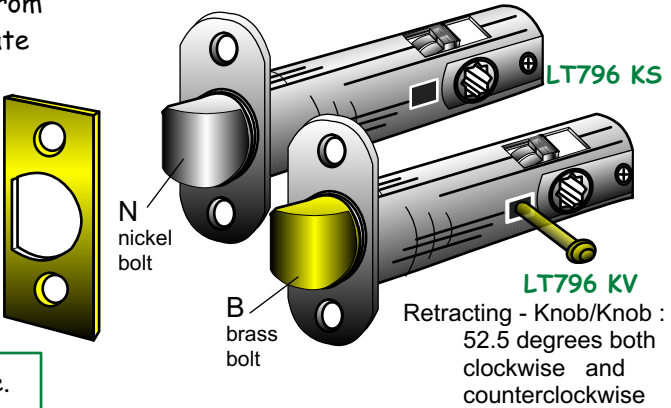
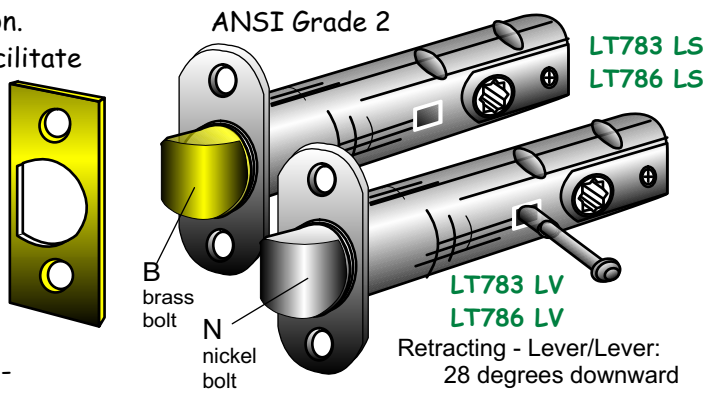
Finishes: US10, 10B, 14, 15, 15A, 19, 26, 26D, 3, 3N, 32, 32D, 4, 5, & 9
Latch, Faceplate, Strike and accessories can also be ordered separately. Please call Baton's Sales Department for details.

The Privacy function has an anti-lock feature. Depressing the latch bolt by strike when door is closing, or operating the inside Knob/Lever unlocks the latch.

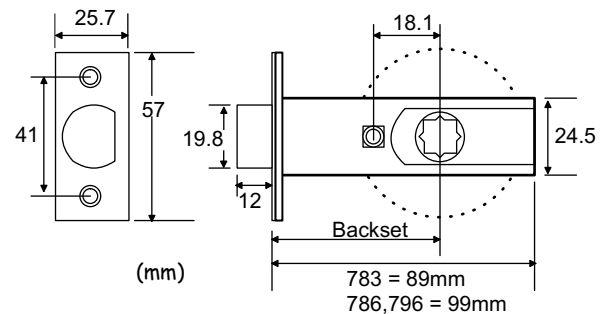
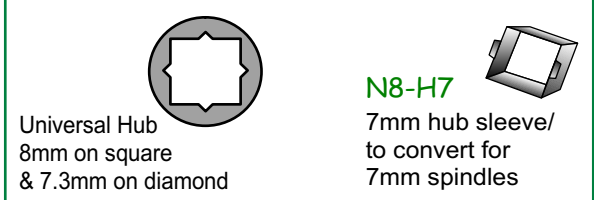
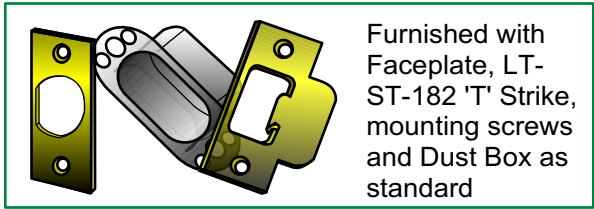
Stock No.		Backset	Function
Knob/Knob	Lever/Lever		
Brass Bolt			
	LT783LS8 B-__	2-3/8"	Passage
	LT783LV8 B-__	2-3/8"	Privacy
LT796KS8 B-__	LT786LS8 B-__	2-3/4"	Passage
LT796KV8 B-__	LT786LV8 B-__	2-3/4"	Privacy
LT79CKV8 B-__	LT78CLV8 B-__	custom	Privacy
Nickel Bolt			
	LT783LS8 N-__	2-3/8"	Passage
	LT783LV8 N-__	2-3/8"	Privacy
LT796KS8 N-__	LT786LS8 N-__	2-3/4"	Passage
LT796KV8 N-__	LT786LV8 N-__	2-3/4"	Privacy
LT79CKV8 B-__	LT78CLV8N-__	custom	Privacy

- See Page L02 Code Interpretation Guide for ordering
- For extended T Strikes, Full Lip Strikes and Combo Faceplate/Strikes please refer to pages L12 and L13

U.S. Patent 5,342,101



L08



Models LT843 LT846 Heavy Duty Passage Latch with through bolting holes

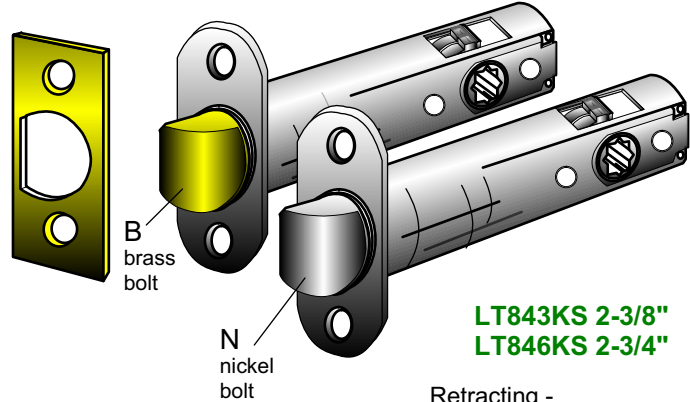
Models LT843, 846 Tubular Latch has a unique design - requiring only 28 degrees, both clockwise and counter-clockwise rotations on either side to retract the Bolt.

The forged solid brass Bolt is reversible to facilitate door handing; supplied with satin brass "B" or satin nickel "N" finishes. Please specify when ordering.

The housing features with a pair of 38mm center to center holes, allowing trim / rosette through bolting mount horizontally. The 28 degree short retracting Latches are assembled with Knob strength only. Power Pack (LT-RS150) or a similar assist spring cage on each side is recommended for Lever application. Passage function only.

Hub size: 8.0mm Square/7.3mm Diamond
A Hub Sleeve (NZ-H7) is to order for 7mm-Spindle application.

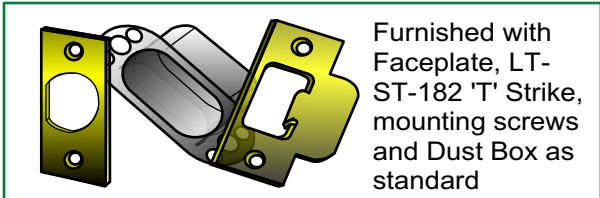
Finishes: US10, 10B, 14, 15, 15A, 26, 26D, 3, 32, 32D, 4, 5, & 9



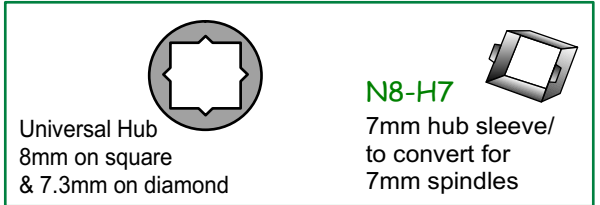
LT843KS 2-3/8"
LT846KS 2-3/4"

Retracting -
28 degrees both
clockwise and
counterclockwise

L09

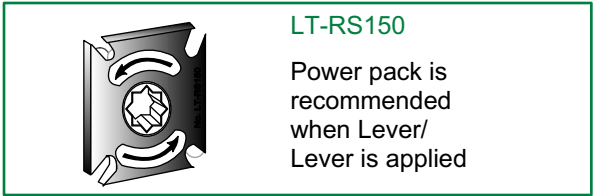


Furnished with Faceplate, LT-ST-182 'T' Strike, mounting screws and Dust Box as standard



Universal Hub
8mm on square
& 7.3mm on diamond

N8-H7
7mm hub sleeve/
to convert for
7mm spindles



LT-RS150

Power pack is recommended when Lever/ Lever is applied

Stock No.	Backset	Function	Retracting
-----------	---------	----------	------------

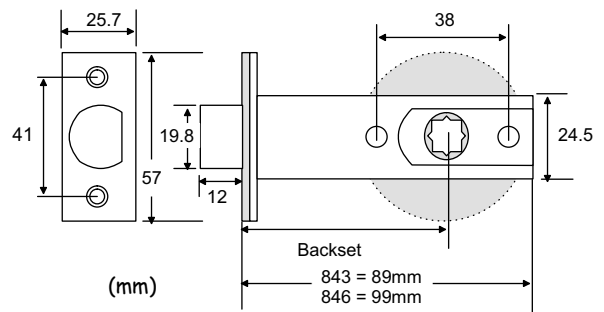
Brass Bolt -

LT843KS8B- LT846KS8B- _	2-3/8"(60mm) 2-3/4"(70mm)	Passage (K/K) Passage (K/K)	28° 28°
-------------------------------	------------------------------	--------------------------------	------------

Nickel Bolt -

LT843KS8N- LT846KS8N- _	2-3/8"(60mm) 2-3/4"(70mm)	Passage (K/K) Passage (K/K)	28° 28°
-------------------------------	------------------------------	--------------------------------	------------

- See Page L02 Code Interpretation Guide for ordering
- For extended T Strikes, Full Lip Strikes and Combo Faceplate/Strikes please refer to pages L12 and L13

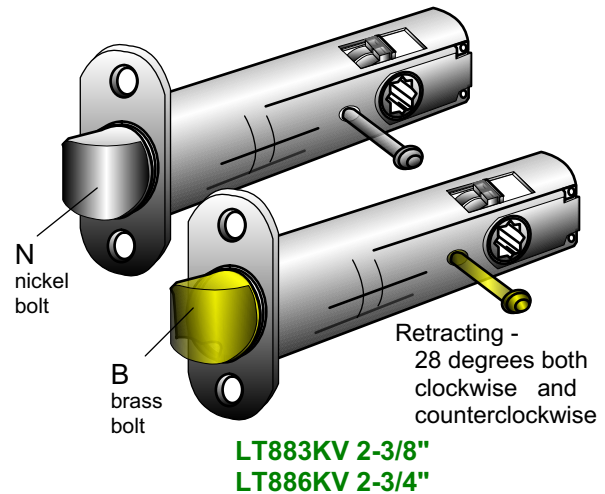
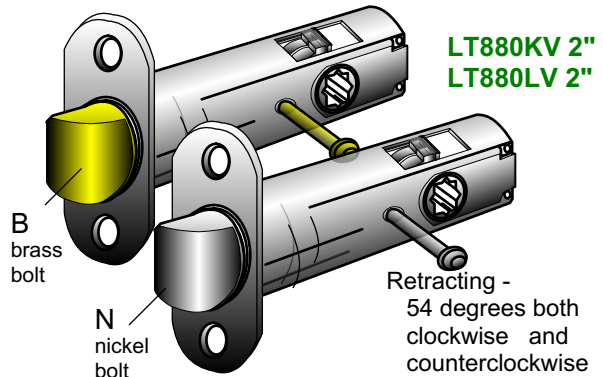


Series LT880 Heavy Duty Tubular Latch

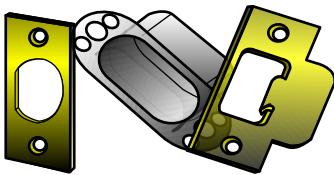
Series LT880 Tubular Latch has a unique design - requiring only 28 degrees for the 2-3/8" and 2-3/4" backsets, 52 degrees for 2" backset; both clockwise and counter-clockwise rotations on either side to retract the bolt. The forged solid brass tongue is reversible to facilitate door handing; supplied with satin brass "B" or satin nickel "N" finishes. Please specify when ordering. The 28 degree short retracting Latches are assembled with Knob strength only. Power Pack (LT-RS150) or a similar assist spring cage on each side is recommended for Lever application. Model LT880 2" is available with Knob or Lever strengths.

Latch is constructed with Privacy function. Eliminating the installation of the Privacy Pin works as a passage latch.

Hub size: 8.0mm Square/7.3mm Diamond
Finishes: US10, 10B, 14, 15, 15A, 19, 26, 26D, 3, 32D, 4, 5, & 9



The Privacy function has an anti-lock feature. Depressing the latch bolt by strike when door is closing, or operating the inside Knob/Lever unlocks the latch.



Furnished with Faceplate, LT-ST-182 'T' Strike and Dust Box as standard

Universal Hub
8mm on square
& 7.3mm on diamond

N8-H7
7mm hub sleeve/
to convert for
7mm spindles

LT-RS150
Power pack is recommended when Lever/Lever is applied

Stock No.	Backset	Function	Retracting
-----------	---------	----------	------------

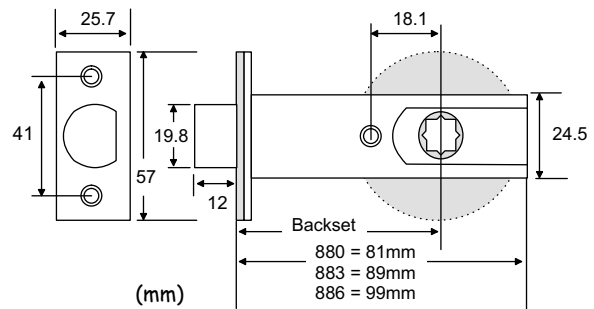
Brass Bolt -

LT880KV8B-__	2" (50mm)	Privacy (K/K)	54 °
LT880LV8B-__	2" (50mm)	Privacy (L/L)	54 °
LT883KV8B-__	2-3/8"(60mm)	Privacy (K/K)	28 °
LT886KV8B-__	2-3/4"(70mm)	Privacy (K/K)	28 °

Nickel Bolt -

LT880KV8N-__	2" (50mm)	Privacy (K/K)	54 °
LT880LV8N-__	2" (50mm)	Privacy (L/L)	54 °
LT883KV8N-__	2-3/8"(60mm)	Privacy (K/K)	28 °
LT886KV8N-__	2-3/4"(70mm)	Privacy (K/K)	28 °

- See Page L02 Code Interpretation Guide for ordering
- For extended T Strikes, Full Lip Strikes and Combo Faceplate/Strikes please refer to pages L12 and L13

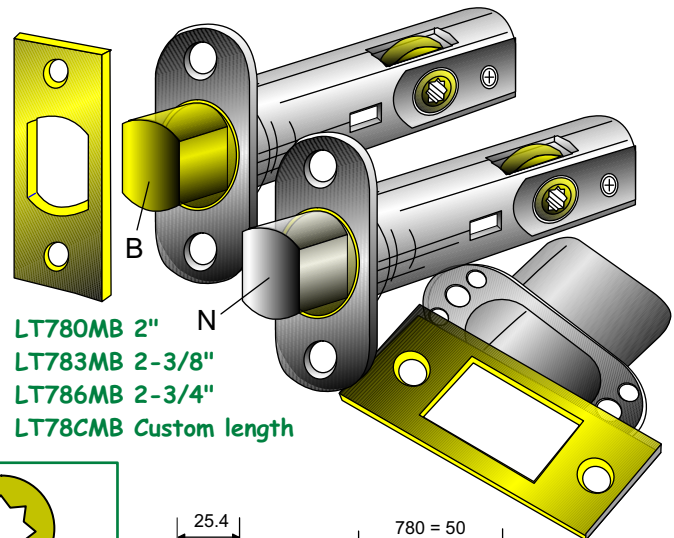


Series 'LT'
Mortise Bolt & Accessories

Mortise bolt

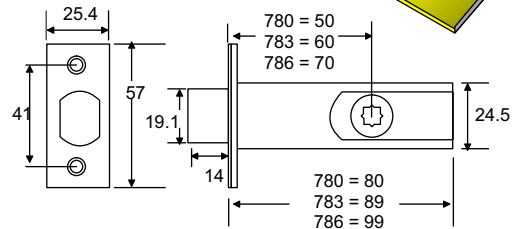
Series LT780 Heavy Duty Mortise Bolts are constructed with a chrome finished metal case. The 9/16" throw solid brass bolt is supplied in satin brass (B) or satin nickel (N) finishes, to match with the finished Faceplate/Strike as follows : US9, 10, 10B, 14, 15, 15A, 19, 26, 26D, 3, 32, 32D, 4, 5 & 9.

Three backsets are available to facilitate door applications; can also be paired with Baton Series LT580, 680, 780 and 880 Passage Latches for elegant and classic mount, using the optional Combo Faceplate/Strike as shown on page L13.



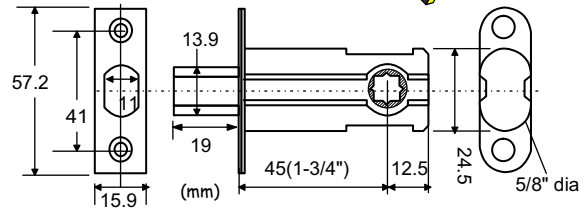
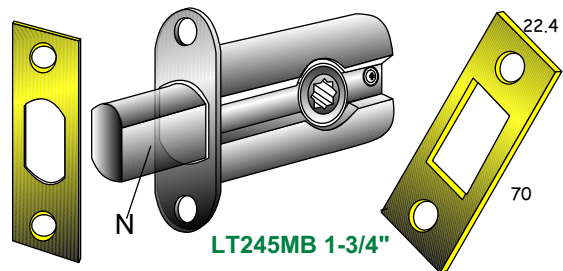
L11

Model LT245 features a 5/8" wide Armor Front and Faceplate, ideal for both thick and thin door applications. Please see page LO1 for details and finishes available from stock.



The star hub constructed on all models, facilitates a wide range of Thumb Turns (TX-TA/TB/TD) that are formed with a 5mm spindle or a breakable flat tail. Furnished with Faceplate, Strike, Dust Box(n/a for LT245MB) and mounting Screws in individual plain box.

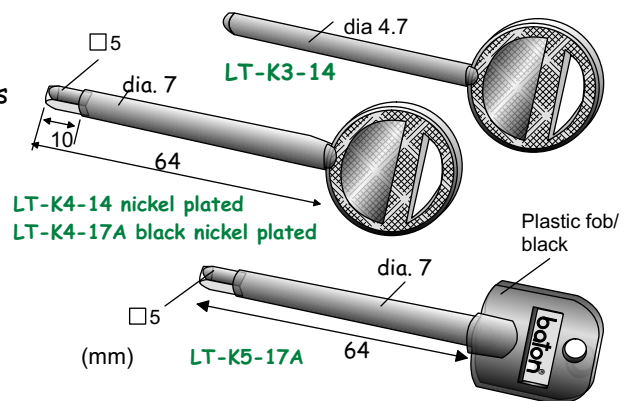
Stock No.	Backset	Bolt Throw	Bolt Finish
LT245MB5 B/N	1-3/4" (45mm)	3/4"	US15
LT780MB5 B/N	2" (51mm)	9/16"	US4, 15
LT783MB5 B/N	2-3/8" (60mm)	9/16"	US4, 15
LT786MB5 B/N	2-3/4" (70mm)	9/16"	US4, 15
LT78CMB5 B/N	Custom length	9/16"	US4, 15



Turn and Emergency Release Keys

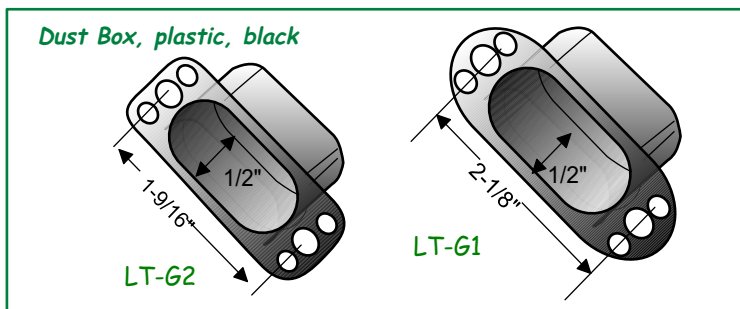
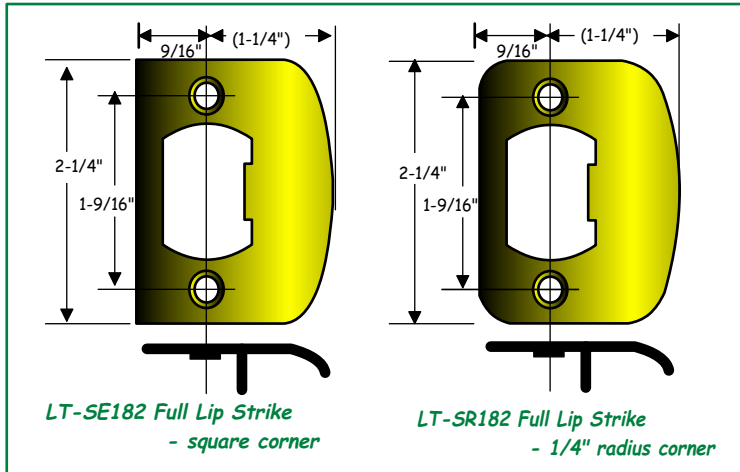
Steel construction. Turn Key is ideal for operating Mortise Bolt or Lock that is formed with a turning hub that works with a 5mm spindle. Emergency Release Key has a 3/16" x 2.5" long shank, allows to depress the privacy block on 'LT' Privacy Latches through the release pin hole to unlock the door.

Stock No.	Description
LT-K3-14	Emergency Release key
LT-K4-14	Turn Key, nickel plated
LT-K4-17A	Turn Key, black nickel plated
LT-K5-17A	Turn Key, black nickel plate with plastic/black fob

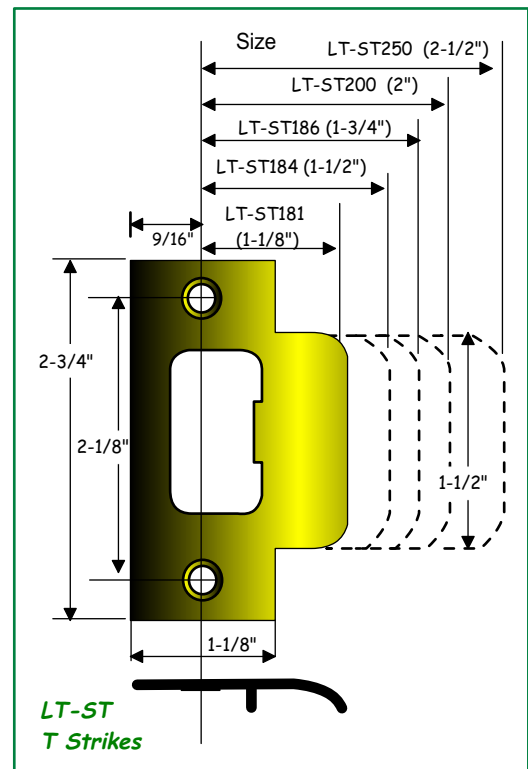
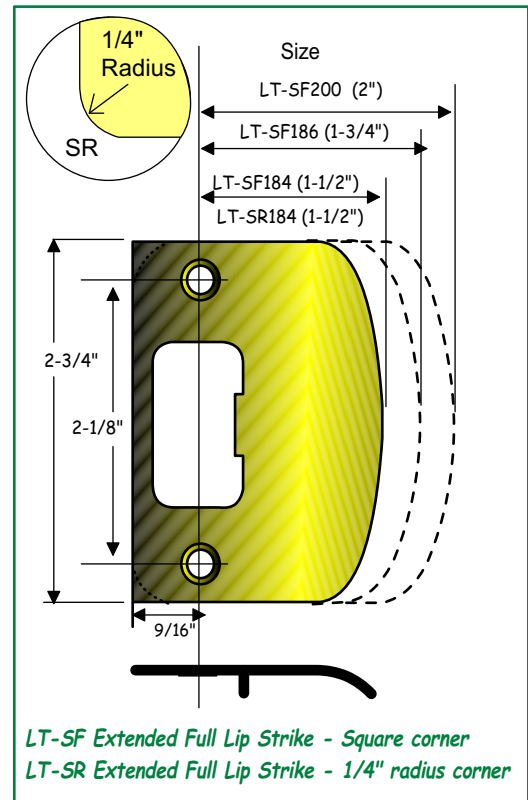


Series LT 'Full Lip' , 'T' Strikes & Dust Box for Tubular Latch

Baton's series LT 'T' and 'Full Lip' Strikes are made of 1.2mm thick brass, bronze or stainless steel. Packed individually in polybag w/2 screws.



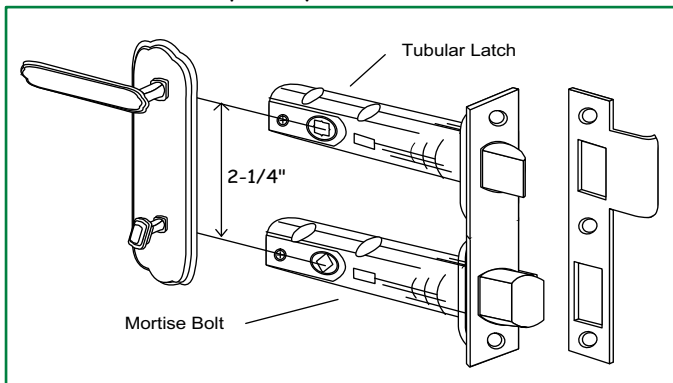
Stock No	Description/size	Finishes / stock	Dust box to use
LT-SE182	Full Lip Strike 1-1/4"	US 9,10,10B,14,15,15A 19, 26D,32,32D,3R,4,5	LT-G2
LT-SF184 LT-SF186 LT-SF200	Full Lip Strike 1-1/2" " 1-3/4" " 2"	US 10B, 15, 15A, 19, 26, 3, 3N, 32, 32D, 5	LT-G1
LT-SR182	Full Lip Strike 1-3/16"	US 10B, 19, 32D	LT-G2
LT-SR184	Full Lip Strike 1-1/2"	US 10B, 15A, 3, 32D	LT-G1
LT-ST181	T Strike, 1-1/8"	US 19, 26, 26D	LT-G1
LT-ST182	T Strike, 1-1/4"	US 10,10B,14,15,15A,19 26, 3, 32, 32D, 3N, 4, 5,	LT-G1
LT-ST184 LT-ST186 LT-ST200 LT-ST284	T Strike 1-1/2" " 1-3/4" " 2" " 2-1/2"	US 10B, 14, 15A, 19, 26, 3, 32, 32D, 5	LT-G1



Combo Faceplate & Strike for 'LT' T Latch + Mortise Bolt

Combo Faceplate/Strike Package

Baton Combo Faceplate/Strike packages are specially designed for for the combination mount of a Baton Tubular Latch and a Mortise Bolt as a set. The 2-1/4" center to center distance allows the Tubular Passage Latch and Mortise Bolt to be installed together and works as a classic privacy lock.

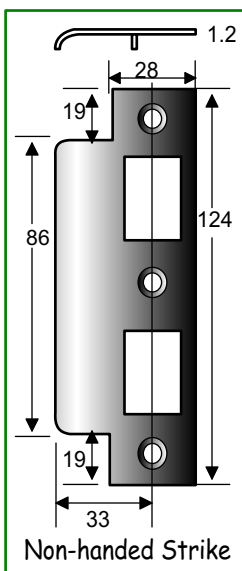


L13

Two models are available from stock:
Model LT-FS224 has very narrow Faceplate and is designed to use for the LT245 1-3/4" backset Mortise Bolt and Passage Latch. Non-handed. Finishes: US10B, 3, 32D & 4

Model LT-FS225 is designed to use for the series 'LT' Tubular Passage Latches and Mortise Bolts in backsets of 2", 2-3/8" and or 2-3/4". Please specify Left-hand or right-hand when ordering.

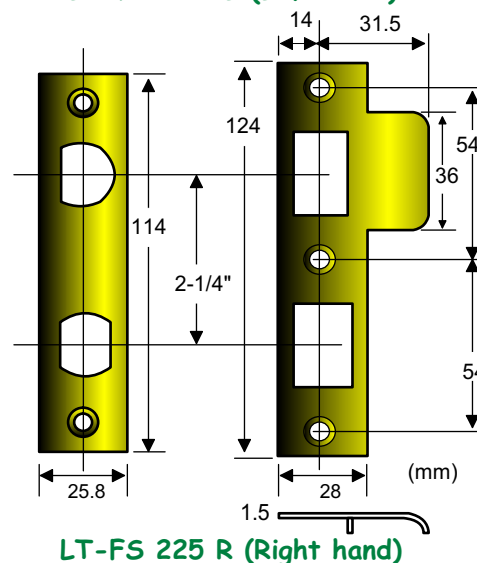
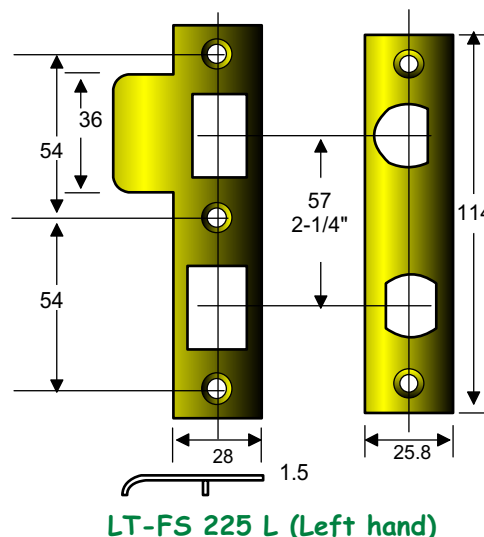
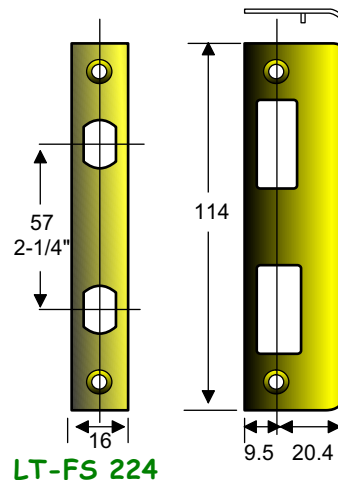
Finishes: US10B, 15, 15A, 26, 3 & 4



Matching reference:

Backset	Mortise Bolt	Passage Latch	Combo to use
1-3/4"	LT245MB	LT245 KS	LT-FS 224
2"	LT780MB	LT680	LT-FS 225
2-3/8"	LT783MB	LT583/683/783/883	LT-FS 225
2-3/4"	LT786MB	LT586/686/786/886	LT-FS 225

Stock No.	Size	Description
LT -FS224	13/16"	Combo Faceplate/Strike,
LT -FS225 L	1-1/4"	Combo Faceplate/Strike, Left hand
LT -FS225 R	1-1/4"	Combo Faceplate/Strike, Right hand



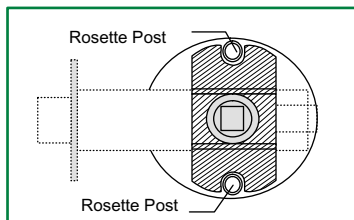
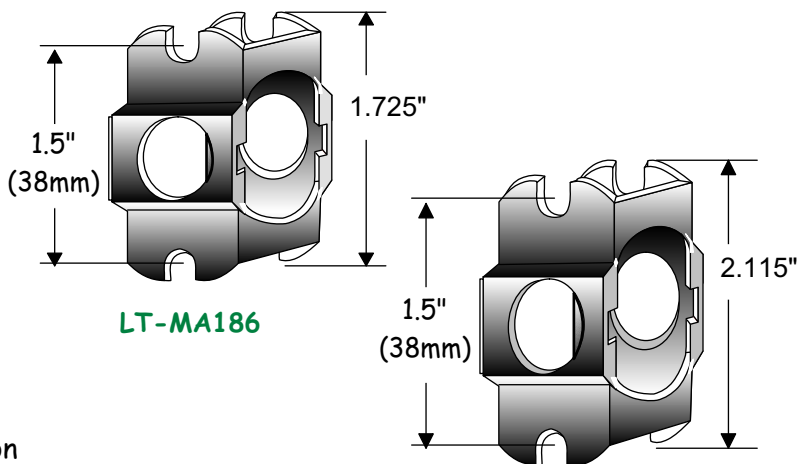
Models LT-MA186/281 Stabilizer & LT-RS150 Power Pack

Stabilizer

Series LT-MA Nylon Stabilizer has a 0.983" in diameter with 0.75" 2-flat center hole, fits Baton series LT580, LT590, LT680, LT780 and LT880 Tubular Latch; or can be used with the LT-RA Rosette Adapter to hold the bolting post of the rosette in place.

- Two sizes are available from stock:
- LT-MA186 - to be used for 1-3/4" or larger face bore on door.
- LT-MA281 - to be used for 2-1/8" face bore on door.

Stock No.	Description
LT-MA 186	Stabilizer 1-3/4" (f/1-3/4" face bore)
LT-MA 281	Stabilizer 2-1/8" (f/2-1/8" face bore)

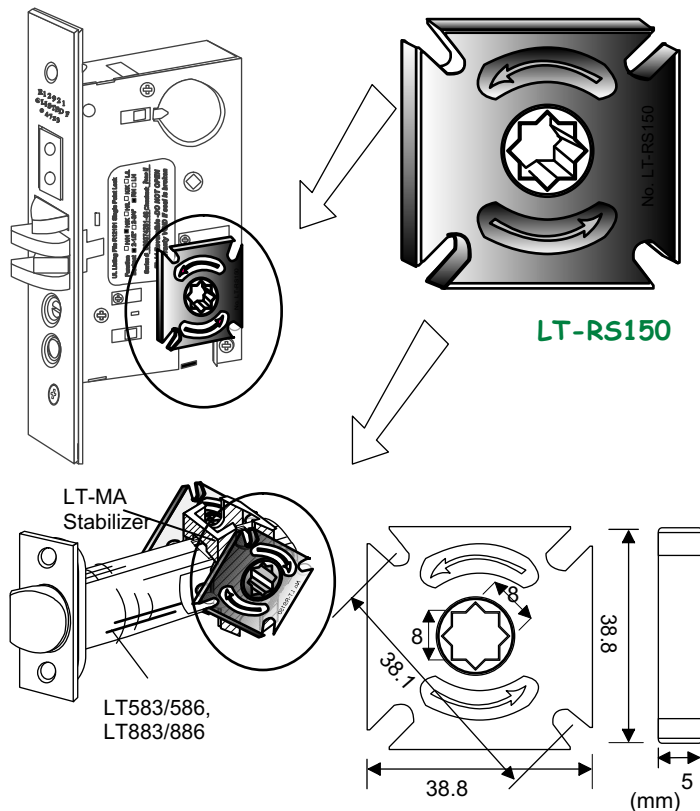


L14

Power pack

Die cast zinc alloy case, and hub sealed with metal cover for long lasting operation. The universal 8mm star hub plus the 4 slots on case corners make this Power pack ideal for use on horizontal, vertical or diagonal mounts.

The Power Pack is designed for use with the Lever action in both Mortise Lock and Tubular Latch applications. Ideal for use with those extra-heavy levers. Rotation angle : 45 degree maximum.



Stock No	Description	Max turning
LT-RS150	Power Pack	45 degrees one way

Models LT-RA281C & RA281D Rosette Adapter

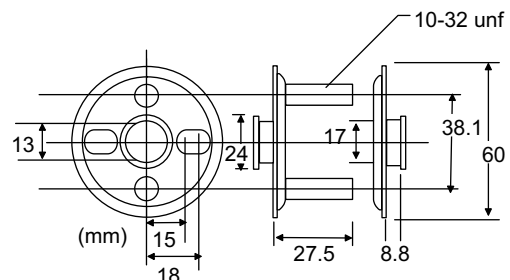
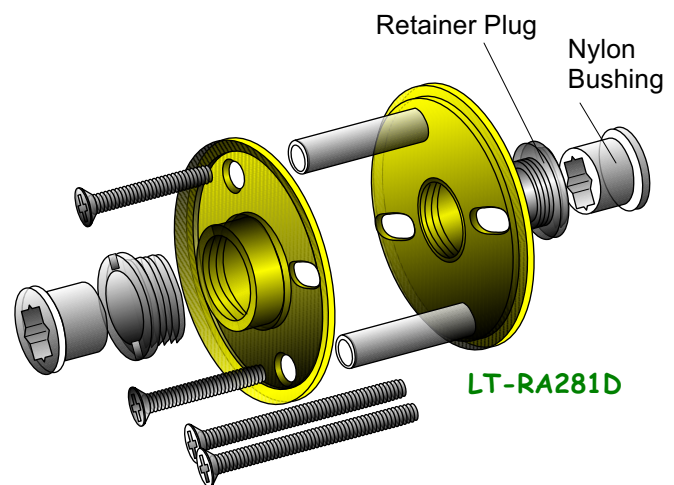
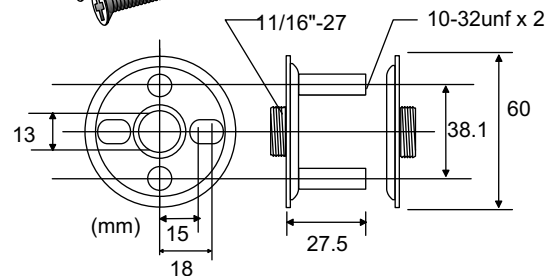
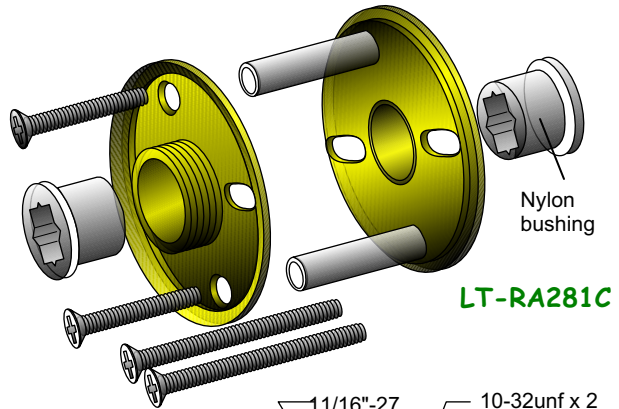
Series LT-RA281 Rosette Adapter is made of selected brass. The 1-1/2" center to center threaded post works with Baton series LT580, LT590, LT680, LT780 and LT880 Tubular Latch; with or without the using a stabilizer (LT-MA186/MA281). The Rosette adapter also works with Baton series A, series D and series E and F Mortise Lock cases; or any others applications that require or form to accept a pair of Screw Post with 38.1mm (1-1/2") center to center.

The 2-5/16" in diameter Adapter is designed to retrofit the 2-1/8" pre-bored door. Furnished with a pair of nylon Bushing, accepts a 7.3mm or 8mm Spindle for smooth and long life operation.

Model LT-RA281C is constructed with an exterior threaded center stud (11/16"-27), and accepts a Rosette that has the same threading on the center hole for the Lever/ Knob.

Model LT-RA281D has an interior threaded center stud. The Rosette is held in place with the Retainer Plug that is furnished. No tapping on the Rosette is required.

Furnished with one pair each of 1-1/8" and 1-7/8" long Bolting screws are furnished as standard. Extension Coupler (D400-ZC, as shown on Page D05) can be applied for thicker door applications.



Stock No.	Description
LT-RA 281C	Rosette Adapter, the original, 2-1/8"
LT-RA 281D	Rosette Adapter, plug type, 2-1/8"

Remark: Dummy function for LT-RA281 are available to order. Please call.

**Series LT-RT281
Thumb Piece & Transfer Unit**

Transfer Unit

Baton series LT-RT Transfer Unit for Grip Handle are made of cast alloy and constructed with a spring-action powder steel working gear and hub swivel to ensure the smooth, durable and long life operation.

One pair each of the Threaded Posts and Blocking Studs constructed allows the Transfer Unit be installed with an optional nylon Stabilizer (LT-MA186/MA281) to stabilize the latch installation and the operation engaged by the Thumb Piece. Maxi. turning: 65 degrees, counterclockwise

To facilitate the design of your Grip handle, the 8mm metal Gear Hub can be set on the square or 22.5 degrees offset to the right. Please specify when ordering.

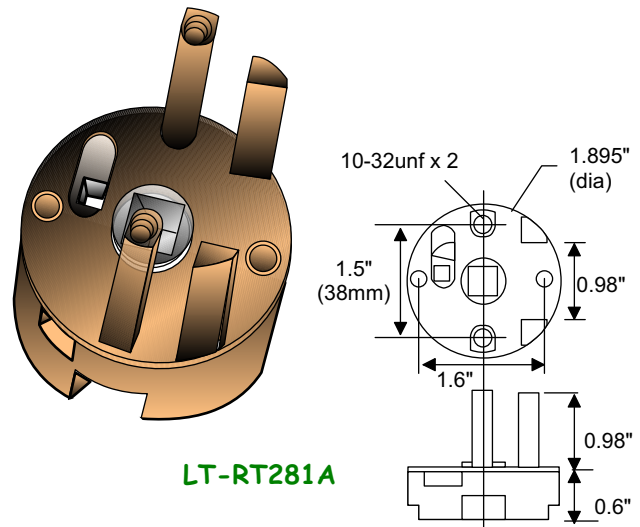
Recommend matching Tubular Latches:
Baton LT583KS, LT586KS, LT595KS,
Baton LT683TS, LT686TS,
Baton LT880KS, LT883KS, LT886KS

Stock No.	Description	Retracting
LT-RT281A	Transfer Unit, hub on square	65 degree
LT-RT281B	Transfer Unit, hub offset	42.5 degree

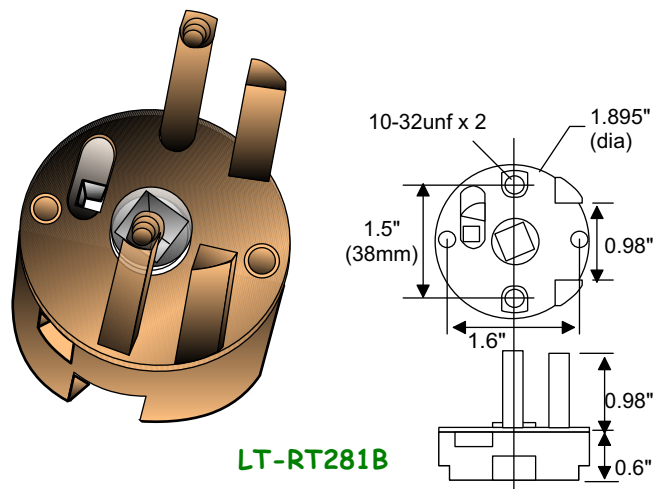
Thumb Piece

The forged brass/unfinished Thumb pieces are designed to engage the Transfer Unit. Two models are available to order

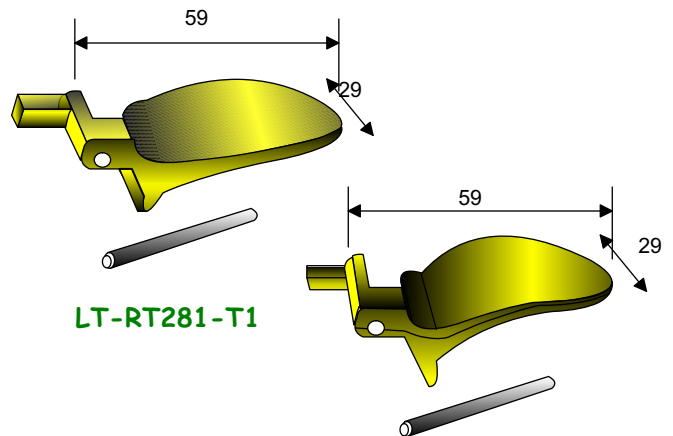
Stock No.	Description
LT-RT281-T1	Thumb Piece, moden
LT-RT281-T2	Thumb Piece, classic



LT-RT281A



LT-RT281B



LT-RT281-T1

LT-RT281-T2

Series 'TL' Brass Lever Set

Baton Series 'TL' Lever Sets provide the ultimate in elegance, beauty and style. It will accommodate Baton's series 'LT' Tubular Latches. Please refer to pages L01 to L09 for options.

Three styles of Rosettes : Classic (C), Modern Large (M) and Modern Small (N) for your choice to adapt to the 8 styles of elegant Levers as shown on next page.

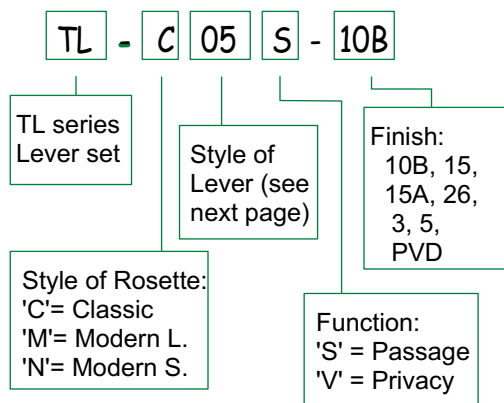
All rosettes are made of wrought brass and available in the following finishes:

US10B, 15, 15A, 26, 3, 5 & PVD

Hub size: 8mm on square

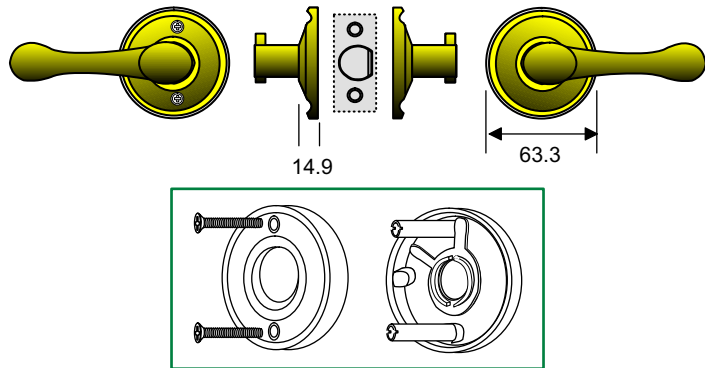
T19

Code Interpretation Guide

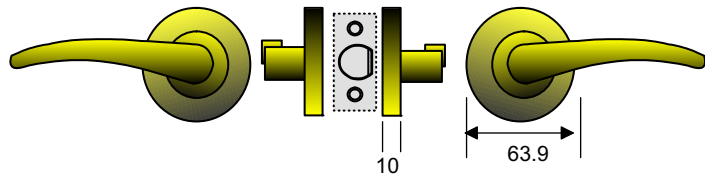


Model Nos.	Description	Finish
TL-C__	'U' type trim set	(See next page)
TL-M__	'V' type trim set	
TL-N__	'X' type trim set	

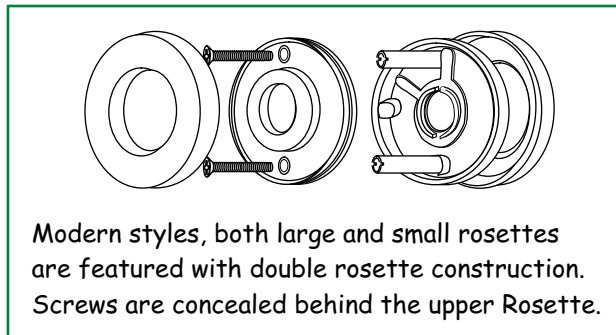
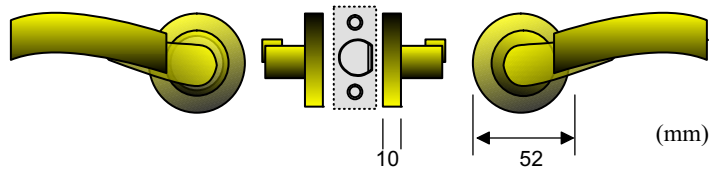
Classic style Rosette



Modern style Rosette (L)



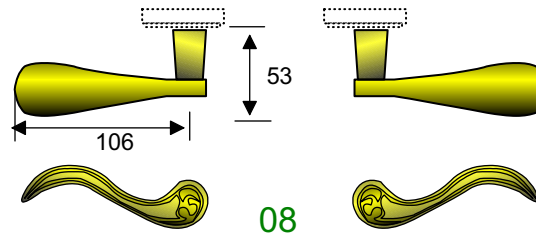
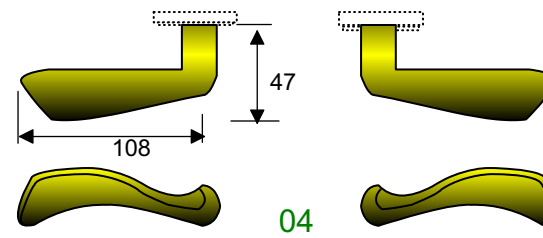
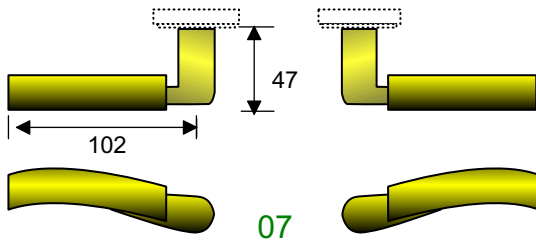
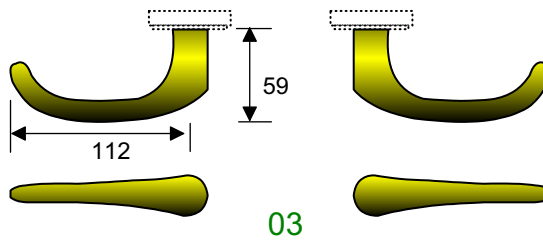
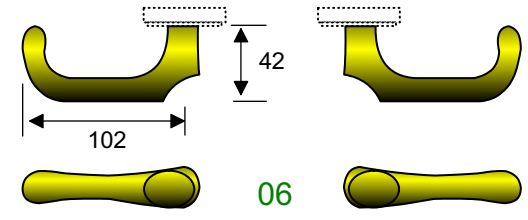
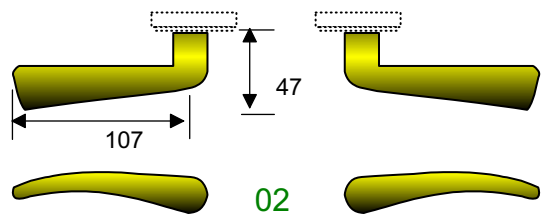
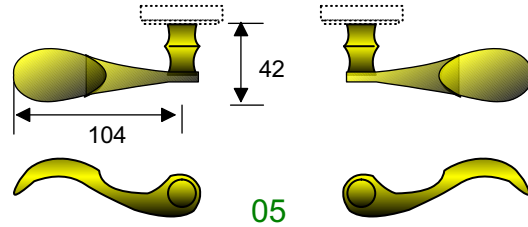
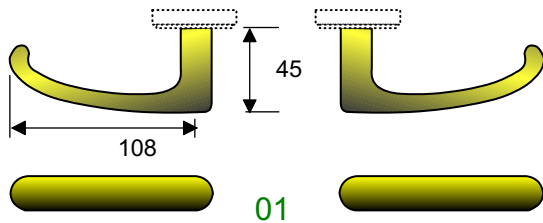
Modern style Rosette (S)



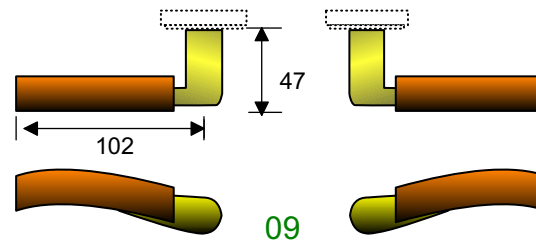
Latch is excluded. Please see pages L01~L09 for series 'LT' Passage or Privacy Latch and related accessories.

**Forged Brass Classic & Modern
Levers for Series 'TL' Lever Sets**

The Levers shown below are designed to match with the Classic, Modern Large and Modern Small Rosette of series 'TL' Lever Sets as per described on page left. Various finishes are available to order.



Model Nos.	Material	Finish
01, 02, 03, 04, 05, 06, 07, 08	Wrought brass	10B, 15, 15A, 26, 26D, 3, PVD
09	Wrought brass w/mahogany deco	26, PVD



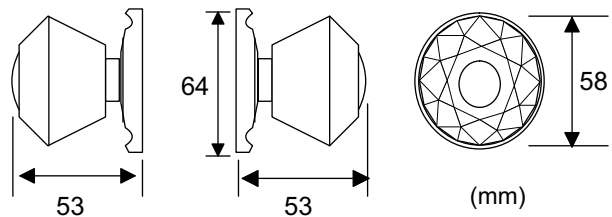
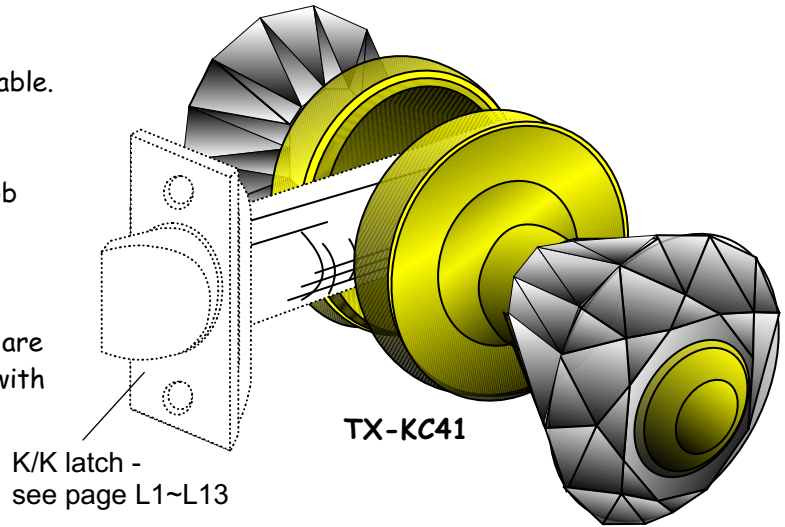
Series 'TX-K'
Crystal & Brass Knob Sets

Baton Series 'TX-K' Knob Sets combine style and beauty. Three models are available.

Model TX-KC41 is featured with 2-5/16" Crystal Glass Knobs. The Rosette and knob shank are made of brass. Finish: US26 & PVD

The knob of Models TX-KM53 and KM54 are made of forged brass, and are featured with a double Rosette design. The bolting screws are concealed behind the Snap-On upper Rosette. Both the upper and lower Rosettes are made of wrought brass. Hub size: 8mm on square

Finishes available :
US10B, 15, 15A, 26, 3 & PVD

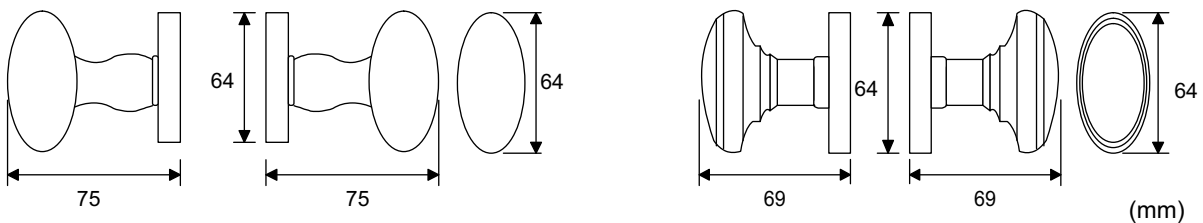
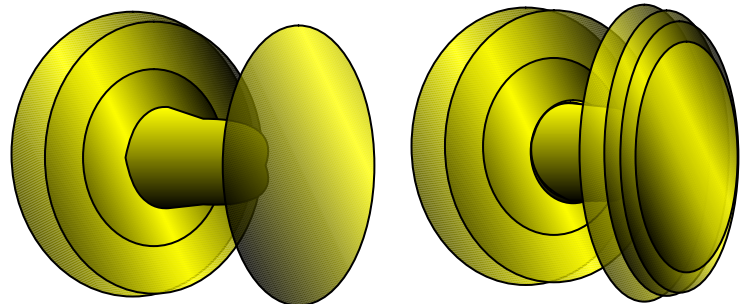


Model Nos.	Description
TX-KC41	Knob set, Crystal glass
TX-KM53	Knob set, Forged brass
TX-KM54	Knob set, Forged brass

T21

Latch and Mortise Lock case and Spindle are separate purchase items. Please refer to

- a) pages L01~L09 for Series 'LT' Tubular Latches and related accessories
- b) pages A01 to A10 for Series 'A' Mortise Lock Cases and
- c) pages D10, D11 and E01~E13 for Series 'D', 'E', 'F', 'G', 'K' Mortise Lock Cases
- d) page T25 for optional Spindles



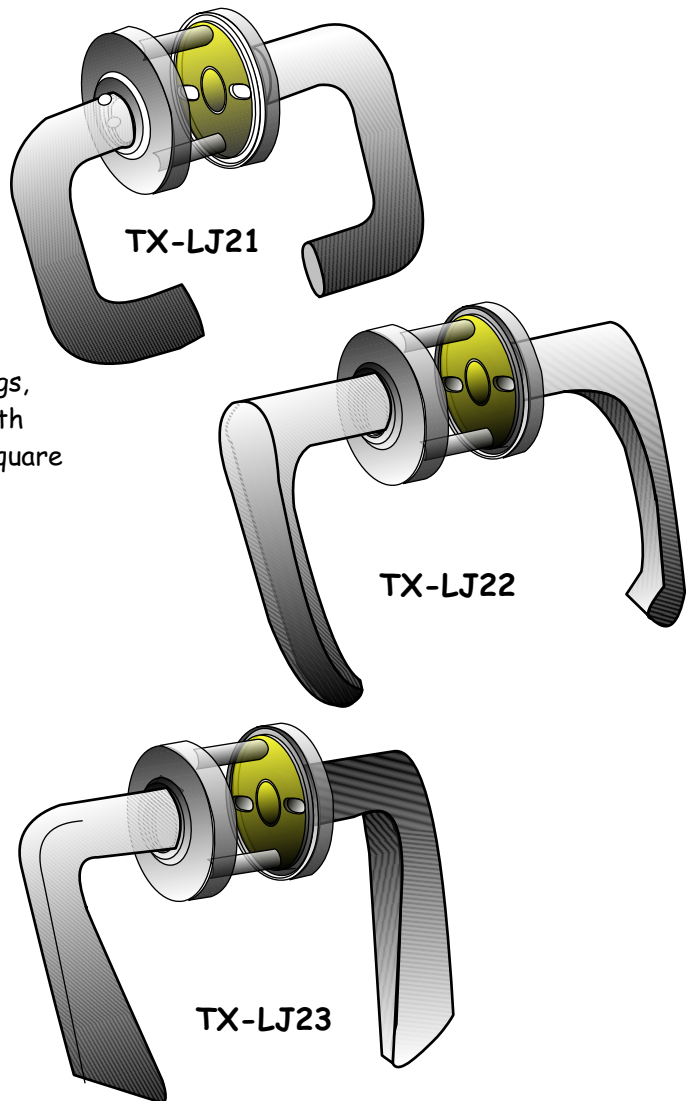
**Series 'TX-LJ' Lever Sets
- Stainless Steel**

Series TX-LJ Lever Sets are featured with Baton's LT-RA281 Rosette Adapter, coupled with stainless steel Rosettes and Levers.

The concealed Mounting screw design allows these Lever sets to be used for series 'A' Mortise Lock, series 'F', 'E' Euro Mortise Lock, series 'D' Mortise Lock and series 'LT' Tubular Latches.

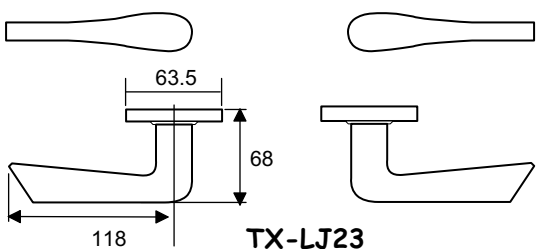
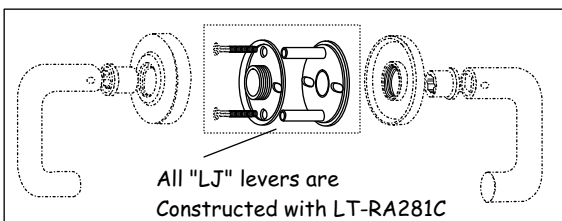
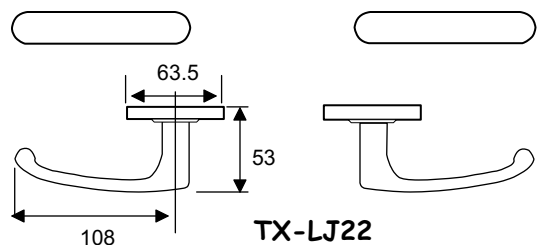
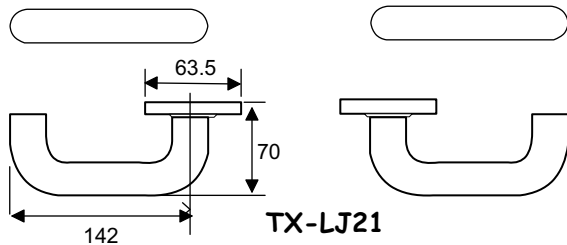
The package comes with 2 nylon spindle bushings, for 7.3mm and 8.0mm spindles, to ensure smooth and long lasting operation. Hub size: 8mm on square. Specify Passage or Privacy when ordering.

Stock No.	Description & finish
TX-LJ21	Lever set, US32D
TX-LJ22	Lever Set, US32D
TX-LJ23	Lever Set, US32D



- Latch and Mortise Lock case and Spindle are separate purchase items. Please refer to
- a) pages L01~L09 for Series 'LT' Tubular Latches and related accessories
 - b) pages A01 to A10 for Series 'A' Mortise Lock Cases and
 - c) pages D10, D11 and E01~E13 for Series 'D', 'E', 'F', 'G', 'K' Mortise Lock Cases
 - d) page T25 for optional Spindles

T22

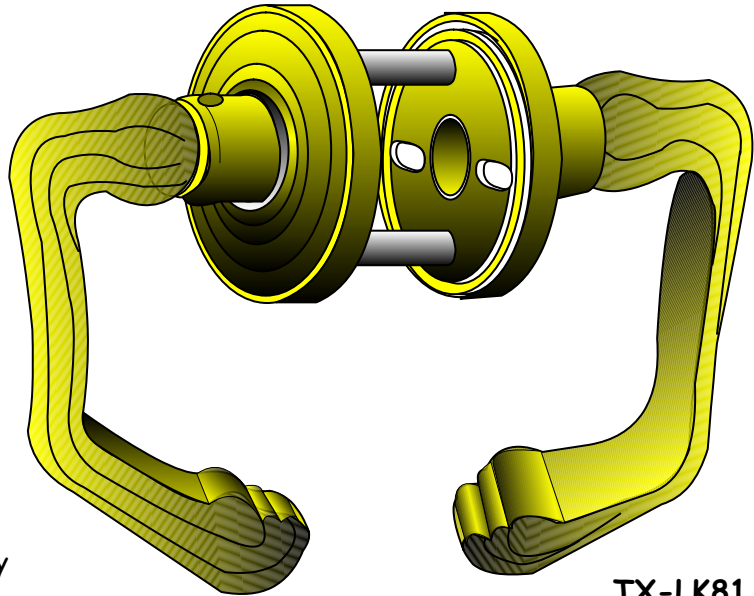


**Model TX-LK81 Classic Lever Set
- Solid Stainless Steel**

Baton Series TX-LK81 Lever Set combines elegance and classic beauty. The investment casting stainless steel solid Lever and 2mm thick Rosette are constructed with Baton's plug type Rosette Adapter (LT-RA281D). Bolting screws are concealed, and coupled with unmatched style and reliability.

The 1-1/2" center to center threaded post works with Series 'LT' Tubular Latch and Series 'A' Mortise Lock cases.

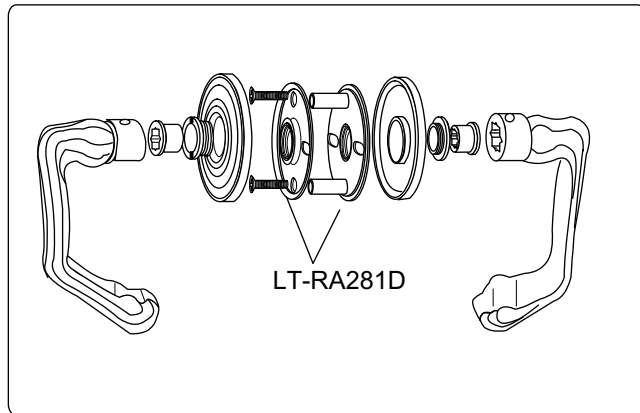
Hub size: 8mm on square. Please refer to page 83 for optional Spindles. Specify Passage or Privacy when ordering.



TX-LK81

Finishes:

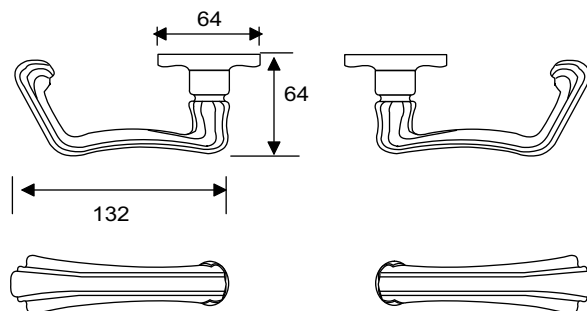
- US32 Bright polished stainless steel
- US32D Satin stainless steel
- ZG32 Bright polished stainless steel and Zirconium/Gold
- ZG32D Satin stainless steel and Zirconium/Gold



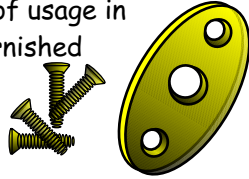
Sock No.	Description
TX-LK81	Classic Lever Set

Latch and Mortise Lock case and Spindle are separate purchase items. Please refer to

- a) pages L01~L09 for Series 'LT' Tubular Latches and related accessories
- b) pages A01 to A10 for Series 'A' Mortise Lock Cases and
- c) pages D10, D11 and E01~E13 for Series 'D', 'E', 'F', 'G', 'K' Mortise Lock Cases
- d) page T25 for optional Spindles



Baton series 'TX-T' Thumb Turns are made of forged brass. The optional 5mm square and breakable flat style steel spindles provide a wide range of usage in many applications. Furnished with front plate and mounting screws.

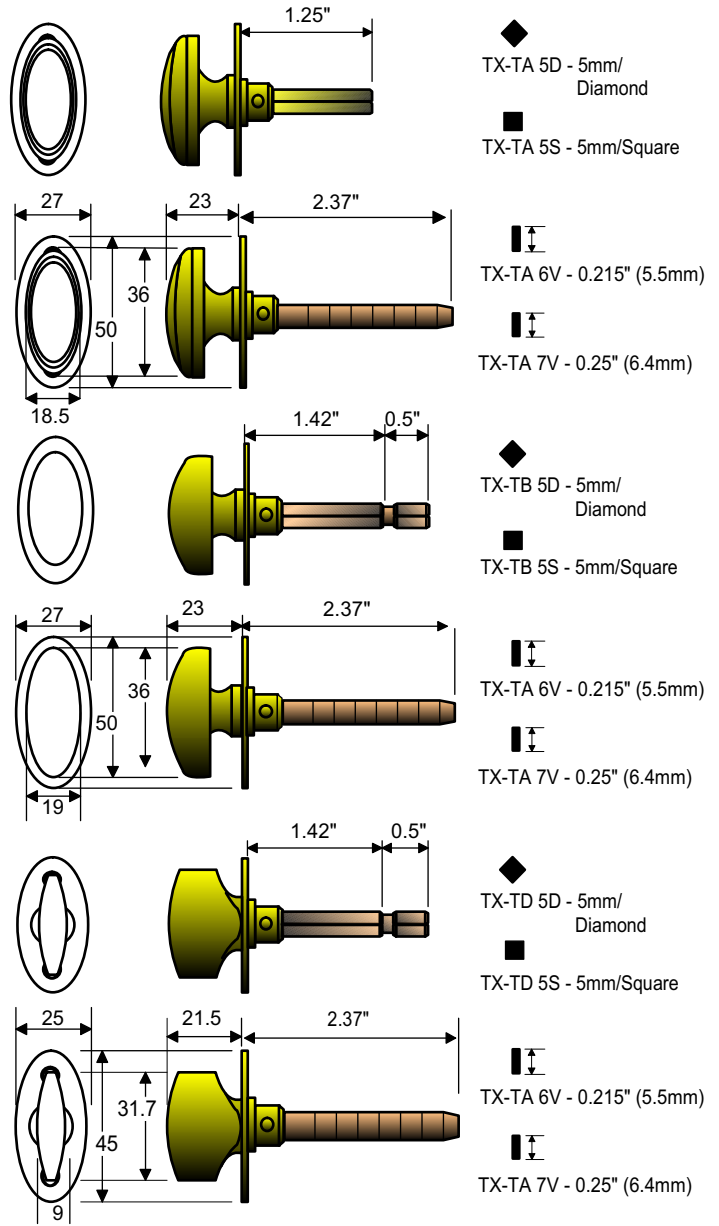
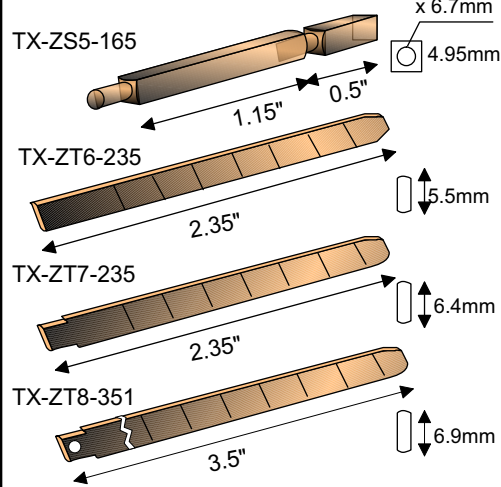


Finishes available:

- TA - US10B, 15, 15A, 26, 3
- TB - US10B, 15, 19, 26, 26D, 3
- TD - US10B, 15, 19, 26D, 3



Spindle and snapable Tails



T24

Model Nos.	Spindle type	Hub styles to fit	Baton products to fit
TX-TA 5D TX-TB 5D TX-TD 5D	5mm on Diamond		Mortise lock case series A & C, D Mortise bolts LT245MB, LT780/783/786MB Dead bolt latch D400-DA/DB/DC/DF/DH
TX-TA 5S TX-TB 5S TX-TD 5S	5mm on Square		LT245MB and Euro style latch/bolt comes with 5mm on square hub
TX-TA 6V TX-TB 6V TX-TD 6V	0.215" W on Vertical		Mortise lock case series A, Hook lock C275HX, Mortise bolt LT245MB, LT780/ 783/786 w/5mm on Diamond hub
TX-TA 7V TX-TB 7V TX-TD 7V	0.25" W. on Vertical		Mortise lock cases seroes D500, D600 Deadbolt latches D4

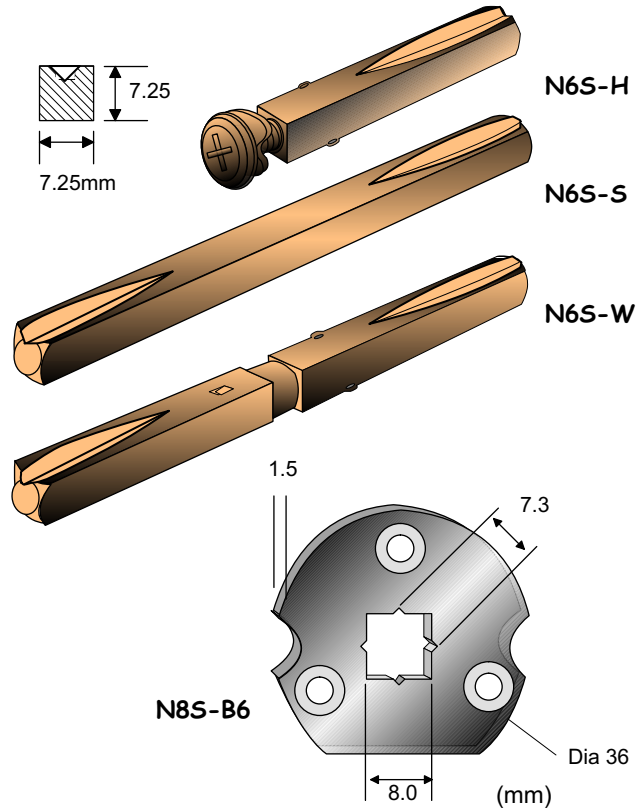
Series 'N6S' Spindle and Dummy Adapter - 7.3mm

Spindles

Baton's series 'N' Spindles are made of wrought steel for 7.3mm hub. Available with the following models:

- Half Spindle -
for Grip Handle on one side with interior Knob/Lever trim (HL or HK).
- Solid Spindle -
one piece construction, for Passage.
- Swivel Spindle -
for Privacy and Entrance.

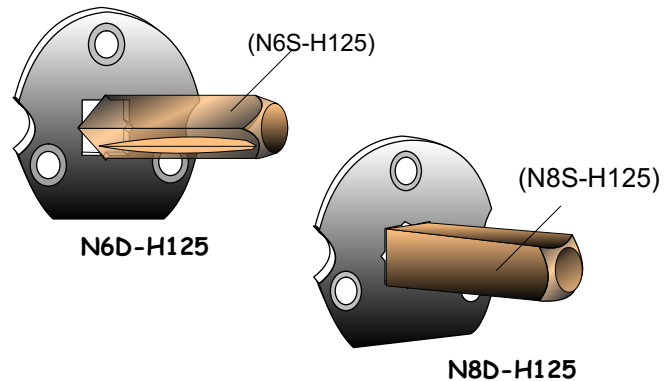
Stock No.	Description
N6S-H125	Dummy Spindle 1.25"
N6S-H275	Half Spindle 2.75"
N6S-S400	Solid Spindle 4"
N6S-S450	Solid Spindle 4.5"
N6S-S500	Solid Spindle 5"
N6S-W400	Swivel Spindle 4"
N6S-W450	Swivel Spindle 4.5"
N6S-W500	Swivel Spindle 5"



Dummy Spindle & Bracket - for Dummy trim

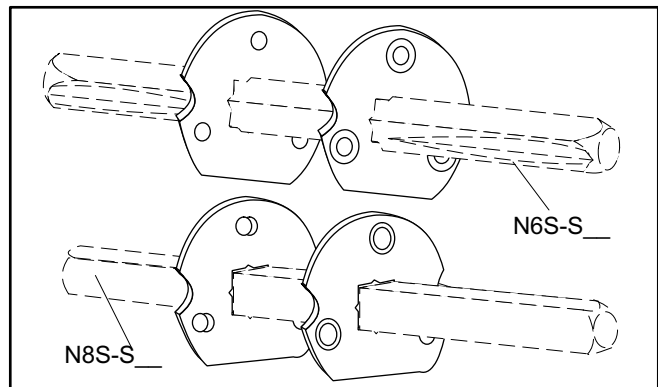
Stainless steel, with 7.3mm on diamond plus 8mm on square broaching, can be accommodated with both 7.3mm or 8.0mm spindles:

- a) Half Spindle for single side dummy trim
- b) Solid Spindle for double side dummy trim
- c) Swivel Spindle for one side dummy and other side active.



Furnished with 3/4" wood screws x 3

Stock No.	Description
N8S-B6	Spindle Bracket, for 7.3 & 8mm Spindles
N6D-H125	Dummy Spindle set 7.3 mm x 1.25"
N8D-H125	Dummy Spindle set 8mm x 1.25"



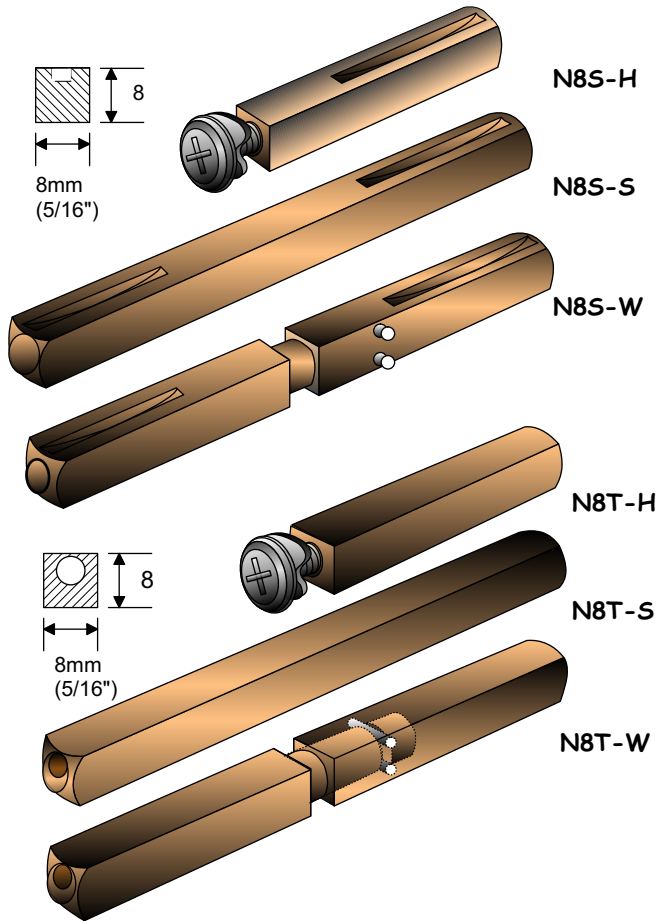
Series 'N8' Spindle, Dummy Bracket Hub Sleeve - 8mm

Spindles

Baton's series 'N' Spindles are made of wrought steel for 8mm hub. Two styles are available: 'NS' Spindles feature groove cut, facilitating the set screw of Knob/Lever mount without slipping. 'NT' Spindles feature a 7/16" off-center hole drilled to allow the pointed set screw to stick on to the spindle. Both styles are available with the following models:

- Half Spindle - for Grip Handle on one side with interior Knob/Lever trim (HL or HK).
- Solid Spindle - one piece construction, for Passage.
- Swivel Spindle - for Privacy and Entrance.

Stock No.	Description
N8S-H 275	Half Spindle 2.75"
N8S-S 400	Solid Spindle 4"
N8S-S 450	Solid Spindle 4.5"
N8S-S 500	Solid Spindle 5"
N8S-W 400	Swivel Spindle 4"
N8S-W 450	Swivel Spindle 4.5"
NS8-W 500	Swivel Spindle 5"
N8T-H 350	Half Spindle 3.5"
N8T-S 400	Solid Spindle 4"
N8T-S 437	Solid Spindle 4.375"
N8T-S 500	Solid Spindle 5"
N8T-S 700	Solid Spindle 7"
N8T-W 400	Swivel Spindle 4"
N8T-W 437	Swivel Spindle 4.375"
N8T-W 450	Swivel Spindle 4.5"
N8T-W 500	Swivel Spindle 5"
N8T-W 700	Swivel Spindle 7"



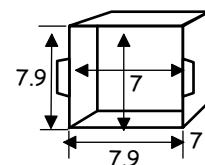
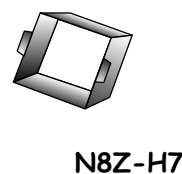
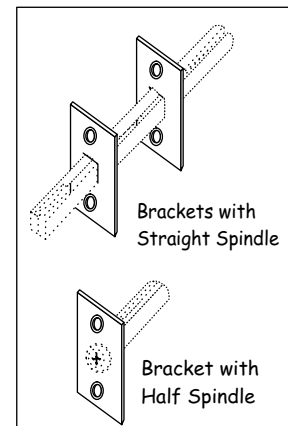
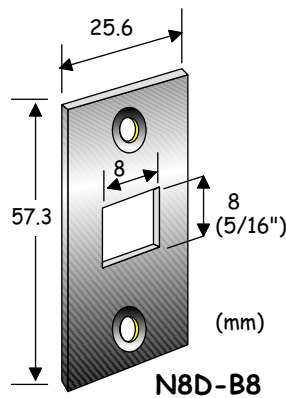
Spindle Bracket- for Dummy trim

Stainless steel, can be accommodated with
a) Half Spindle for single side dummy trim mount,
b) Straight Spindle for double side dummy trim mount, or c) Swivel Spindle for one side dummy and other side active.

Hub Sleeve 7x7mm

-for converting a mortise lock case or Tubular Latch to take a 7x7mm spindle from a regular 8mm Hub. For the split hub application, simply insert the Hub Sleeve from each side of the Hubs.

Stock No.	Description
N8D-B8	Spindle Bracket, w/2 screws
N8Z-H7	Hub Sleeve 7x7mm



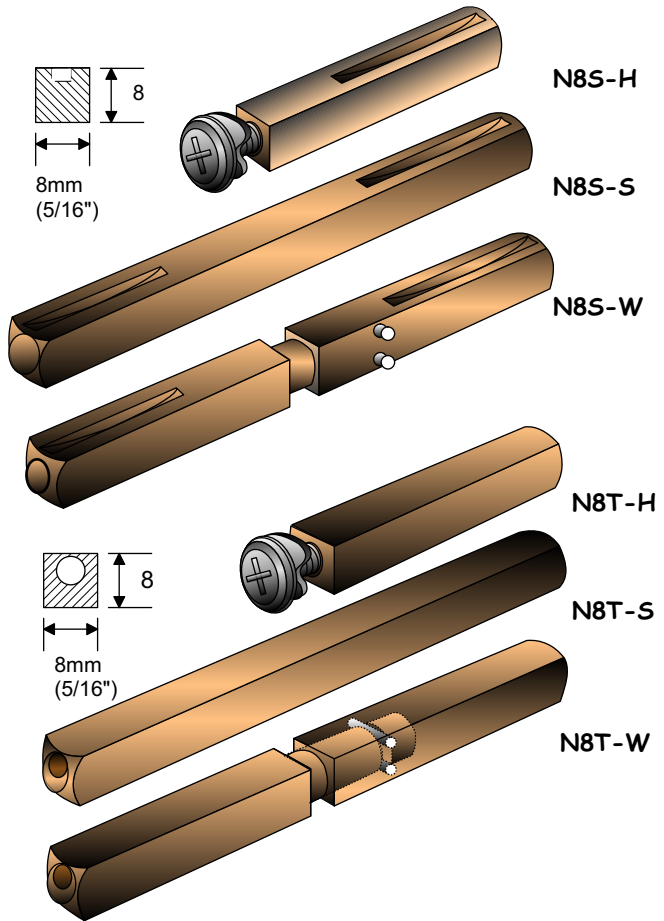
Series 'N8' Spindle, Dummy Bracket Hub Sleeve - 8mm

Spindles

Baton's series 'N' Spindles are made of wrought steel for 8mm hub. Two styles are available: 'NS' Spindles feature groove cut, facilitating the set screw of Knob/Lever mount without slipping. 'NT' Spindles feature a 7/16" off-center hole drilled to allow the pointed set screw to stick on to the spindle. Both styles are available with the following models:

- Half Spindle - for Grip Handle on one side with interior Knob/Lever trim (HL or HK).
- Solid Spindle - one piece construction, for Passage.
- Swivel Spindle - for Privacy and Entrance.

Stock No.	Description
N8S-H 275	Half Spindle 2.75"
N8S-S 400	Solid Spindle 4"
N8S-S 450	Solid Spindle 4.5"
N8S-S 500	Solid Spindle 5"
N8S-W 400	Swivel Spindle 4"
N8S-W 450	Swivel Spindle 4.5"
NS8-W 500	Swivel Spindle 5"
N8T-H 350	Half Spindle 3.5"
N8T-S 400	Solid Spindle 4"
N8T-S 437	Solid Spindle 4.375"
N8T-S 500	Solid Spindle 5"
N8T-S 700	Solid Spindle 7"
N8T-W 400	Swivel Spindle 4"
N8T-W 437	Swivel Spindle 4.375"
N8T-W 450	Swivel Spindle 4.5"
N8T-W 500	Swivel Spindle 5"
N8T-W 700	Swivel Spindle 7"



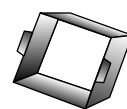
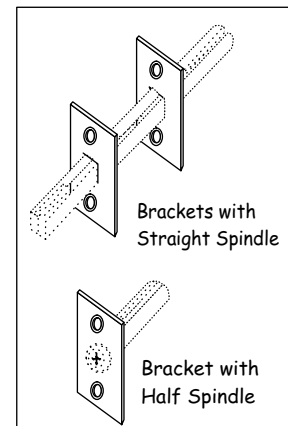
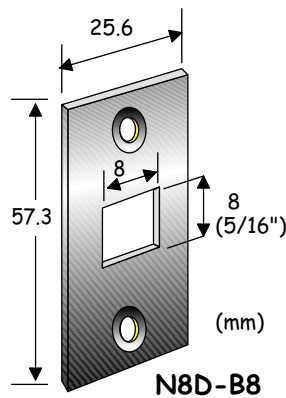
Spindle Bracket- for Dummy trim

Stainless steel, can be accommodated with
a) Half Spindle for single side dummy trim mount,
b) Straight Spindle for double side dummy trim mount, or c) Swivel Spindle for one side dummy and other side active.

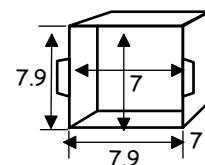
Hub Sleeve 7x7mm

-for converting a mortise lock case or Tubular Latch to take a 7x7mm spindle from a regular 8mm Hub. For the split hub application, simply insert the Hub Sleeve from each side of the Hubs.

Stock No.	Description
N8D-B8	Spindle Bracket, w/2 screws
N8Z-H7	Hub Sleeve 7x7mm

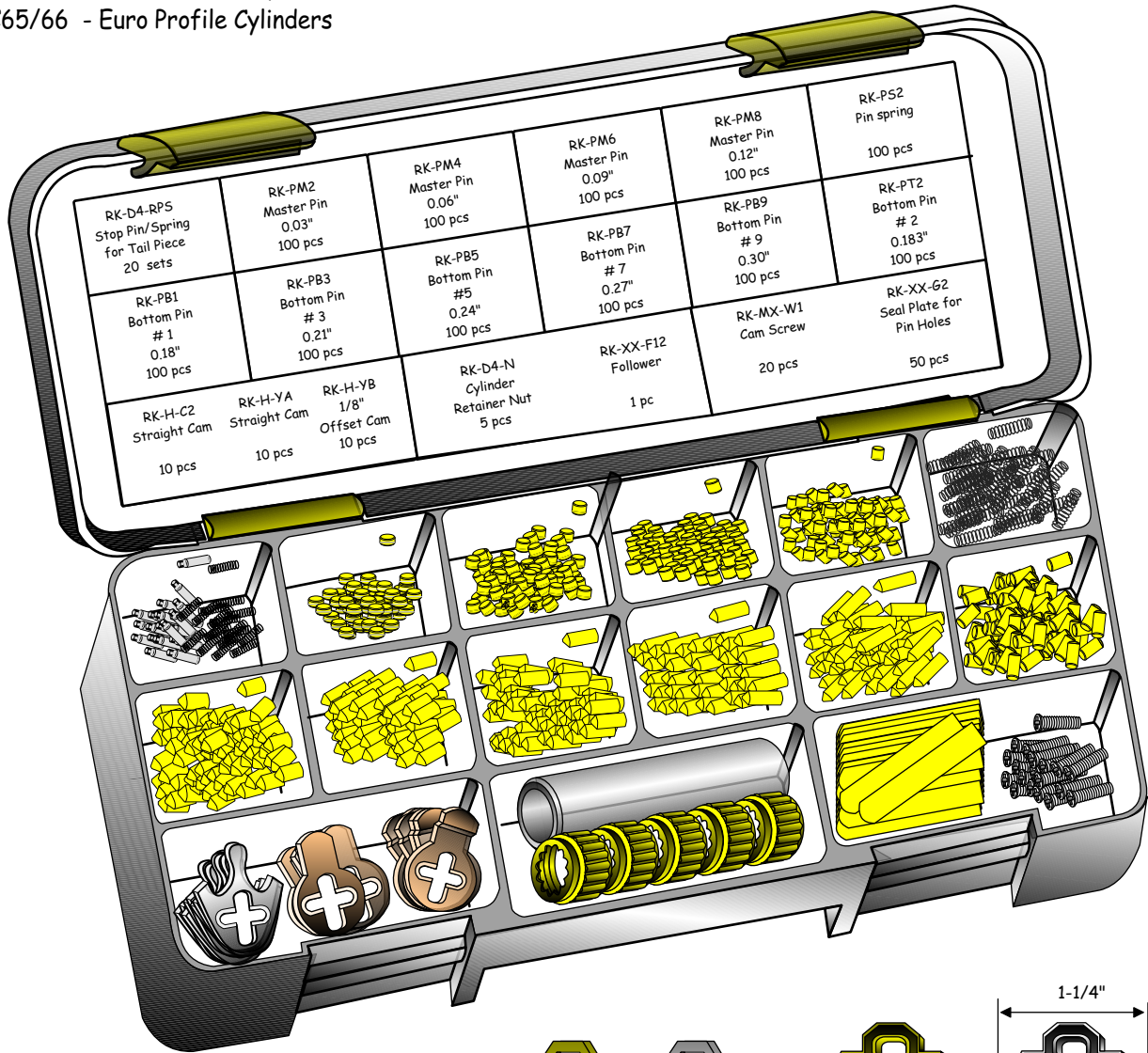


N8Z-H7



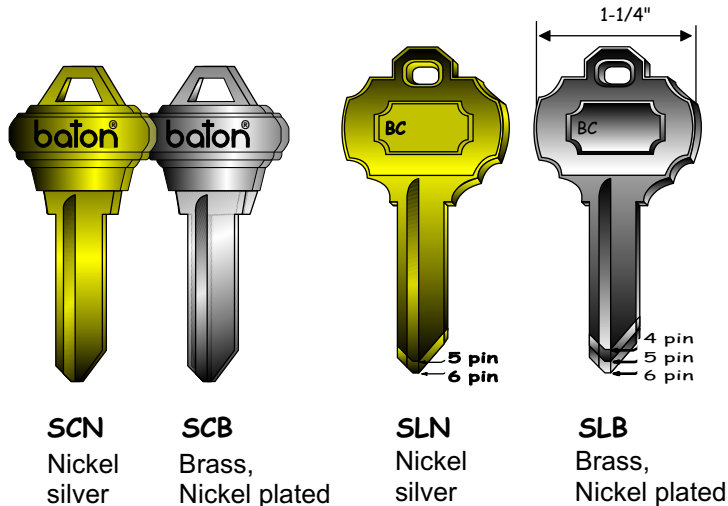
Model RK-20 Rekeying Kit & SB/SL Key Blanks

This rekeying pin kit is designed for Baton cylinders that are stamped with 'BC' code or other compatible cylinders.
 AC29/30/31 - Mortise Cylinders, D400-AK5/AK6 - Key in knob Cylinders
 D400-AS/AD - Deadbolt Cylinders D421/422/461/462 - Deadbolts
 EC65/66 - Euro Profile Cylinders



X03

Stock No.	Description
RK-20	Rekeying Pin Kit
RK-SCB-KB6	6 pin, brass/nickel plated
RK-SCN-KB6	6 pin, nickel silver
RK-SLB-KB4	4 pin, brass/nickel plated
RK-SLB-KB5	5 pin, brass/nickel plated
RK-SLB-KB6	6 pin, brass/nickel plated
RK-SLN-KB5	5 pin, nickel silver
RK-SLN-KB6	6 pin, nickel silver



In-house Keying Services

Baton's series 'AC', 'D4' and 'EC' cylinders that are constructed with 'Schlage-C' keyway, can be keyed to Keyed Alike (KA), Master Keying (MK), Grand Master Keying (GMK) or Construction Keying (CK1, CK2). Please call our CSR for the details.

KA - Keyed Alike - one key fits all

Cylinder can be keyed to work with one same key, No Master keying.

These cylinders can be keyed to the same system, KA, MK, GMK or CK

MK - Master Keying

Each lock is operative with it's own key; the management has one key that operates all locks within the system

CK - Construction Keying

Construction key - Level 1
 Voided after any of the Construction key Level 2, individual key, or Master key is operated

Construction key - Level 2
 Voids the construction key Level 1.
 Voided after the individual key or MK key is operated.

GMK - Grand Master Keying

One GMK key operates two or more MK systems

X05

Measurement Chart - Inch vs. MM

Inch		MM	Inch		MM	Inch		MM
1/16"	0.0625"	1.5875	1-1/16"	1.0625"	26.9875	2-1/16"	2.0625"	52.3875
1/8"	0.1250"	3.1750	1-1/8"	1.1250"	28.5750	2-1/8"	2.1250"	53.9750
3/16"	0.1875"	4.7625	1-3/16"	1.1875"	30.1625	2-3/16"	2.1875"	55.5625
1/4"	0.2500"	6.3500	1-1/4"	1.2500"	31.7500	2-1/4"	2.2500"	57.1500
5/16"	0.3125"	7.9375	1-5/16"	1.3125"	33.3375	2-5/16"	2.3125"	58.7375
3/8"	0.3750"	9.5250	1-3/8"	1.3750"	34.9250	2-3/8"	2.3750"	60.3250
7/16"	0.4375"	11.1125	1-7/16"	1.4375"	36.5125	2-7/16"	2.4375"	61.9125
1/2"	0.5000"	12.7000	1-1/2"	1.5000"	38.1000	2-1/2"	2.5000"	63.5000
9/16"	0.5625"	14.2875	1-9/16"	1.5625"	39.6875	2-9/16"	2.5625"	65.0875
5/8"	0.6250"	15.8750	1-5/8"	1.6250"	41.2750	2-5/8"	2.6250"	66.6750
11/16"	0.6875"	17.4625	1-11/16"	1.6875"	42.8625	2-11/16"	2.6875"	68.2625
3/4"	0.7500"	19.0500	1-3/4"	1.7500"	44.4500	2-3/4"	2.7500"	69.8500
13/16"	0.8125"	20.6375	1-13/16"	1.8125"	46.0375	2-13/16"	2.8125"	71.4375
7/8"	0.8750"	22.2250	1-7/8"	1.8750"	47.6250	2-7/8"	2.8750"	73.0250
15/16"	0.9375"	23.8125	1-15/16"	1.9375"	49.2125	2-15/16"	2.9375"	74.6125
1"	1.0000"	25.4000	2"	2.0000"	50.8000	3"	3.0000"	76.2000

Inch		MM	Inch		MM	Inch		MM
3-1/16"	3.0625"	77.7875	4-1/16"	4.0625"	103.1875	5-1/16"	5.0625"	128.5875
3-1/8"	3.1250"	79.3750	4-1/8"	4.1250"	104.7750	5-1/8"	5.1250"	130.1750
3-3/16"	3.1875"	80.9625	4-3/16"	4.1875"	106.3625	5-3/16"	5.1875"	131.7625
3-1/4"	3.2500"	82.5500	4-1/4"	4.2500"	107.9500	5-1/4"	5.2500"	133.3500
3-5/16"	3.3125"	84.1375	4-5/16"	4.3125"	109.5375	5-5/16"	5.3125"	134.9375
3-3/8"	3.3750"	85.7250	4-3/8"	4.3750"	111.1250	5-3/8"	5.3750"	136.5250
3-7/16"	3.4375"	87.3125	4-7/16"	4.4375"	112.7125	5-7/16"	5.4375"	138.1125
3-1/2"	3.5000"	88.9000	4-1/2"	4.5000"	114.3000	5-1/2"	5.5000"	139.7000
3-9/16"	3.5625"	90.4875	4-9/16"	4.5625"	115.8875	5-9/16"	5.5625"	141.2875
3-5/8"	3.6250"	92.0750	4-5/8"	4.6250"	117.4750	5-5/8"	5.6250"	142.8750
3-11/16"	3.6875"	93.6625	4-11/16"	4.6875"	119.0625	5-11/16"	5.6875"	144.4625
3-3/4"	3.7500"	95.2500	4-3/4"	4.7500"	120.6500	5-3/4"	5.7500"	146.0500
3-13/16"	3.8125"	96.8375	4-13/16"	4.8125"	122.2375	5-13/16"	5.8125"	147.6375
3-7/8"	3.8750"	98.4250	4-7/8"	4.8750"	123.8250	5-7/8"	5.8750"	149.2250
3-15/16"	3.9375"	100.0125	4-15/16"	4.9375"	125.4125	5-15/16"	5.9375"	150.8125
4"	4.0000"	101.6000	5"	5.0000"	127.0000	6"	6.0000"	152.4000